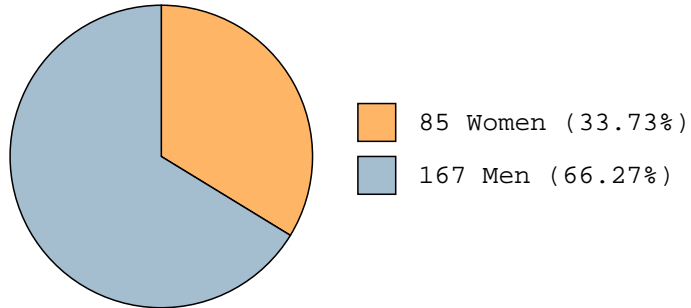


**252 competitors** from **18 nations**



| -38 F Eli kg | -42 F Eli kg | -46 F Eli kg | -50 F Eli kg | -55 F Eli kg | -60 F Eli kg | -66 F Eli kg | +66 F Eli kg | <b>m</b>   |
|--------------|--------------|--------------|--------------|--------------|--------------|--------------|--------------|------------|
| 33           | 36           | 14           | 14           | 34           | 14           | 12           | 10           | <b>167</b> |

| -36 F Eli kg | -40 F Eli kg | -44 F Eli kg | -48 F Eli kg | -52 F Eli kg | -57 F Eli kg | -63 F Eli kg | +63 F Eli kg | <b>w</b>  |
|--------------|--------------|--------------|--------------|--------------|--------------|--------------|--------------|-----------|
| 4            | 8            | 16           | 14           | 14           | 13           | 10           | 6            | <b>85</b> |

| Continent          | AJU | EJU | JUA | OJU | PJC | Total      |
|--------------------|-----|-----|-----|-----|-----|------------|
| <b>Nations</b>     | 1   | 3   |     |     |     | <b>18</b>  |
| <b>Competitors</b> | 42  | 24  |     |     |     | <b>252</b> |

| Schedule | day 1  |
|----------|--------|
| Date     | 09 Mar |
| Start    |        |
| Finals   |        |

**-38 F Eli kg**

|    |                            |   |
|----|----------------------------|---|
| 1. | NESVIETOV, Sviatoslav      | MUR  |
| 2. | ROBLES ROLDAN, Alonso      | MAD  |
| 3. | MONTOYA LOPEZ, Hector      | CTB  |
| 3. | POLO LAGUNA, Simon         | ARA  |
| 5. | CASTELLS VELLVE, Oriol     | CAT  |
| 5. | GIL PARRA, Daniel          | ARA  |
| 5. | ASTAFIEIEV, Daniil         | AND  |
| 5. | FERNANDEZ SEVILLANO, Lucas | MAD  |


**-42 F Eli kg**

|    |                             |   |
|----|-----------------------------|---|
| 1. | CARPIO FERNANDEZ, Alejandro | MAD  |
| 2. | TAICH VIDAL, Martin         | VAL  |
| 3. | FERNANDEZ PUERTAS, Nicolas  | AST  |
| 3. | RAMOS MALDONADO , Aaron     | AND  |
| 5. | POLO DEL PINO, Alonso       | MAD  |
| 5. | TAPIA DOMENECH, Hector      | VAL  |
| 5. | GONZALVEZ CRESPO, Nicolas   | GAL  |
| 5. | ISASA AYALA, Mario          | BAL  |

**-46 F Eli kg**

|    |                                |   |
|----|--------------------------------|---|
| 1. | ANCEJO LEON, Hugo              | VAL    |
| 2. | LOPEZ GORDO, Elias             | MAD    |
| 3. | ALEDO CUERVO, Alberto          | BAL    |
| 3. | GARCIA DUTOR, Daniel           | VAL    |
| 5. | BLASCO TOQUERO, Marcos         | ARA   |
| 5. | CUESTA ACEDO, Alejandro        | MAD  |
| 5. | DE LA CUESTA OLIVERA, Santiago | MAD  |
| 5. | KEIAN, Tihran                  | VAL  |

**-50 F Eli kg**

|    |                             |   |
|----|-----------------------------|---|
| 1. | LLENA CARDIL, Ivan          | ARA    |
| 2. | MORATA CRUZ , Daniel        | AND    |
| 3. | GARCIA RUBIO, Jonas         | VAL    |
| 3. | VELAZQUEZ LOPEZ, Ibor Diego | MAD    |
| 5. | ARBIOL SOLA, Javier         | ARA   |
| 5. | GARCIA STANIAK, David       | CAN  |
| 5. | OLMOS JONNARD, Noah         | VAL  |
| 5. | SUS BOSQUE, Sergio          | ARA  |

**-55 F Eli kg**

|    |                                       |   |
|----|---------------------------------------|---|
| 1. | IGLESIAS RODRIGUEZ, Matthew Alexander | AND  |
| 2. | SOARES, Diogo                         | POR  |
| 3. | CASELLA MARTINEZ, Bruno               | VAL  |
| 3. | TREJO FERNANDEZ , Guillermo           | VAL  |
| 5. | AGULLO PACHECO, Marcos                | VAL  |
| 5. | DOROSH, Danylo                        | MUR  |
| 5. | MARTINEZ TORRES, Alfonso              | MAD  |
| 5. | NOGAROL FERRER, Alvaro                | ARA  |









**-60 F Eli kg**

|    |                                  |   |
|----|----------------------------------|---|
| 1. | ALONSO GARRIZ, Pedro             | MAD  |
| 2. | RODRIGUEZ BLASCO, Francisco Jose | ARA  |
| 3. | GANDIAGA INIESTA, Juan Jose      | MUR  |
| 3. | PEREIRA CROCAMO, Aitor           | BAL  |
| 5. | CHIRIVELLA SELMA, Carles         | VAL  |
| 5. | GONZALEZ HERNANDEZ, Yeiden       | CAN  |
| 5. | SEVILLA MARTIN , Mateo           | CAT  |
| 5. | SILVA SOSA, Diego                | CAN  |




**-66 F Eli kg**

|    |                            |   |
|----|----------------------------|---|
| 1. | MARKOV ONYEMAECHE, Michael | BAL  |
| 2. | BONETE CHACOPINO, Daniel   | VAL  |
| 3. | BELTRAN MARUENDA, Vidal    | CAT  |
| 3. | FORTUNO DOMINGO, Xavier    | CAT  |
| 5. | ARAGONESES JAKOB, Iker     | MAD  |
| 5. | PANTOJA MUNOZ, Jordi       | VAL  |
| 5. | SIMO ENAMORADO, Alvaro     | VAL  |
| 5. | VARELA MONTOTO, Manuel     | GAL  |

**+66 F Eli kg**

|    |                                  |   |
|----|----------------------------------|---|
| 1. | CASTRO PRESMANES, Gael           | CTB  |
| 2. | LINARES CALABUIG, Pere           | CAT  |
| 3. | LOBATO PEREZ, Aimar              | CAN  |
| 3. | RODRIGUEZ PONS, Joaquin          | BAL  |
| 5. | IACHI LOPEZ, Ismael              | AND  |
| 5. | KAPLAN, David                    | MUR  |
| 5. | LOZANO DE ARNILLA MORALES, Jorge | VAL  |
| 5. | PERTUSA CALVO, Jaime             | ARA  |


**-36 F Eli kg**

|    |                           |   |
|----|---------------------------|---|
| 1. | MAZA CAPELLAN , Elena     | ARA  |
| 2. | MONTERDE RODRIGUEZ , Alba | VAL  |
| 3. | AGUERO IGLESIAS, Arantxa  | MAD  |
| 3. |                           |   |
| 5. |                           |   |
| 5. |                           |   |
| 5. |                           |   |
| 5. |                           |   |

**-40 F Eli kg**

|    |                           |   |
|----|---------------------------|---|
| 1. | GRAU CARPIO, Alejandra    | VAL  |
| 2. | FERNANDEZ SANCHEZ , Vera  | AND  |
| 3. | FONSECA PEREZ , Ines      | ARA  |
| 3. | MIRANDA MENENDEZ, Carlota | AST  |
| 5. | OMUNIN SUAREZ , Lucia     | GAL  |
| 5. | ALENDRE GARCIA, Andrea    | GAL  |
| 5. | CASTELLO PEREA, Paula     | VAL  |
| 5. | GALVEZ MARIBLANCA, Julia  | CLM  |

**-44 F Eli kg**

|    |                          |   |
|----|--------------------------|---|
| 1. | PEREDA BIDARTE, Maren    | VAS    |
| 2. | ARCOS ROS , Marta        | VAL    |
| 3. | CUESTA BARRIO, Jimena    | CLE    |
| 3. | GIRALDO ROMERO, Ainhoa   | MAD    |
| 5. | CORONADO PEREZ , Valeria | AST   |
| 5. | GARCIA RIBAS, Maria      | BAL  |
| 5. | LEYDA ALONSO, Elena      | VAL  |
| 5. | VIVAS CELI, Isabella     | GAL  |

**-48 F Eli kg**

|    |                          |   |
|----|--------------------------|---|
| 1. | JUAN MARTINEZ, Claudia   | MAD    |
| 2. | UEMATSU VARON, Sayuri    | CAT    |
| 3. | MUNIZ DEL VALLE, Claudia | CTB    |
| 3. | SALVADOR LORENTE, Vera   | VAL    |
| 5. | ARROCHA MOYA, Africa     | ARA   |
| 5. | DIEZ MANCEBO, Aina       | RIO  |
| 5. | SOLANO BADIA, Sara       | ARA  |
| 5. | TRABADO LOPEZ, Paula     | GAL  |

**-52 F Eli kg**

|    |                           |   |
|----|---------------------------|---|
| 1. | SUAREZ GARCIA, Angharad   | CAN  |
| 2. | ALCIBAR MARCILLA, Carlota | VAL  |
| 3. | MURILLO VAQUERO, Aitana   | MAD  |
| 3. | SANCHEZ LARRANAGA, Elena  | MAD  |
| 5. | CORONADO PEREZ , Adriana  | AST  |
| 5. | FERNANDEZ GALEY, Lucia    | MAD  |
| 5. | NAVARRO RECUERO, Patricia | VAL  |
| 5. | ORTEGA ROSSELLO, Paula    | BAL  |

**-57 F Eli kg**

|    |                                   |   |
|----|-----------------------------------|---|
| 1. | PROUS BONET, Katy                 | CAT  |
| 2. | TORRICO RODRIGUES, Melania Noelia | VAL  |
| 3. | CRUZ UTRABO, Lucia                | AND  |
| 3. | PEREZ JIMENEZ, Lara               | MAD  |
| 5. | BOHDANOVA , Anastasia             | AND  |
| 5. | CASTELLANO ANTEQUERA, Andrea      | ARA  |
| 5. | GOMEZ MORA, Lourdes               | AND  |
| 5. | PRIETO CASAS, Monica              | VAL  |

**-63 F Eli kg**

|    |                                      |   |
|----|--------------------------------------|---|
| 1. | GARCIA MONTES, Judith Eloisa         | EXT  |
| 2. | BRICENO HERRERA, Isabella Valenthyna | BAL  |
| 3. | BROSETA PALLARES, Carlota            | VAL  |
| 3. | RIBES MARRAHI, Lara                  | VAL  |
| 5. | MARTINEZ BLANCO, Alejandra           | MAD  |
| 5. | MIDYUROVA, Kristina Plamenova        | BAL  |
| 5. | POL MERA , Lucia                     | GAL  |
| 5. | SEGURA SORIA , Lucia                 | AND  |

**+63 F Eli kg**

|    |                         |   |
|----|-------------------------|---|
| 1. | NUNEZ WALTER, Carlota   | MUR  |
| 2. | CORBELLA MAULL, Sara    | ARA  |
| 3. | KUEGNONG SIMO, Paris    | VAL  |
| 3. | RUBIO RODRIGUEZ , Paula | VAL  |
| 5. | DE LEON DENIZ, Nadia    | CAN  |
| 5. | GUANO CAISA, Luna       | ARA  |
| 5. |                         |   |
| 5. |                         |   |

Super Copa de Espana de Judo Isabel Fernandez - Infantil 2025  
Alicante (VAL), 09 Mar 2025

**Medals**  
Total

|     |  |            |                    | 1st place | 2nd place | 3rd place | 5th place | 7th place |
|-----|--|------------|--------------------|-----------|-----------|-----------|-----------|-----------|
| 1.  |  | <b>MAD</b> | Madrid             | 3         | 2         | 6         | 6         | 2         |
| 2.  |  | <b>VAL</b> | Valencia           | 2         | 6         | 9         | 12        | 0         |
| 3.  |  | <b>ARA</b> | Aragon             | 2         | 2         | 2         | 9         | 1         |
| 4.  |  | <b>MUR</b> | Murcia             | 2         | 0         | 1         | 2         | 0         |
| 5.  |  | <b>AND</b> | Andalucia          | 1         | 2         | 2         | 4         | 1         |
| 6.  |  | <b>CAT</b> | Catalunya          | 1         | 2         | 2         | 2         | 0         |
| 7.  |  | <b>BAL</b> | Islas Baleares     | 1         | 1         | 3         | 3         | 1         |
| 8.  |  | <b>CTB</b> | Cantabria          | 1         | 0         | 2         | 0         | 0         |
| 9.  |  | <b>CAN</b> | Canarias           | 1         | 0         | 1         | 4         | 0         |
| 10. |  | <b>EXT</b> | Extremadura        | 1         | 0         | 0         | 0         | 0         |
| 10. |  | <b>VAS</b> | Pais Vasco         | 1         | 0         | 0         | 0         | 0         |
| 12. |  | <b>POR</b> | Portugal           |           | 1         | 0         | 0         | 0         |
| 13. |  | <b>AST</b> | Asturias           |           |           | 2         | 2         | 0         |
| 14. |  | <b>CLE</b> | Castilla Leon      |           |           | 1         | 0         | 0         |
| 15. |  | <b>GAL</b> | Galicia            |           |           |           | 6         | 1         |
| 16. |  | <b>CLM</b> | Castilla La Mancha |           |           |           | 1         | 0         |
| 16. |  | <b>RIO</b> | La Rioja           |           |           |           | 1         | 0         |
| 18. |  | <b>UKR</b> | Ucrania            |           |           |           |           |           |

18 nations in this event

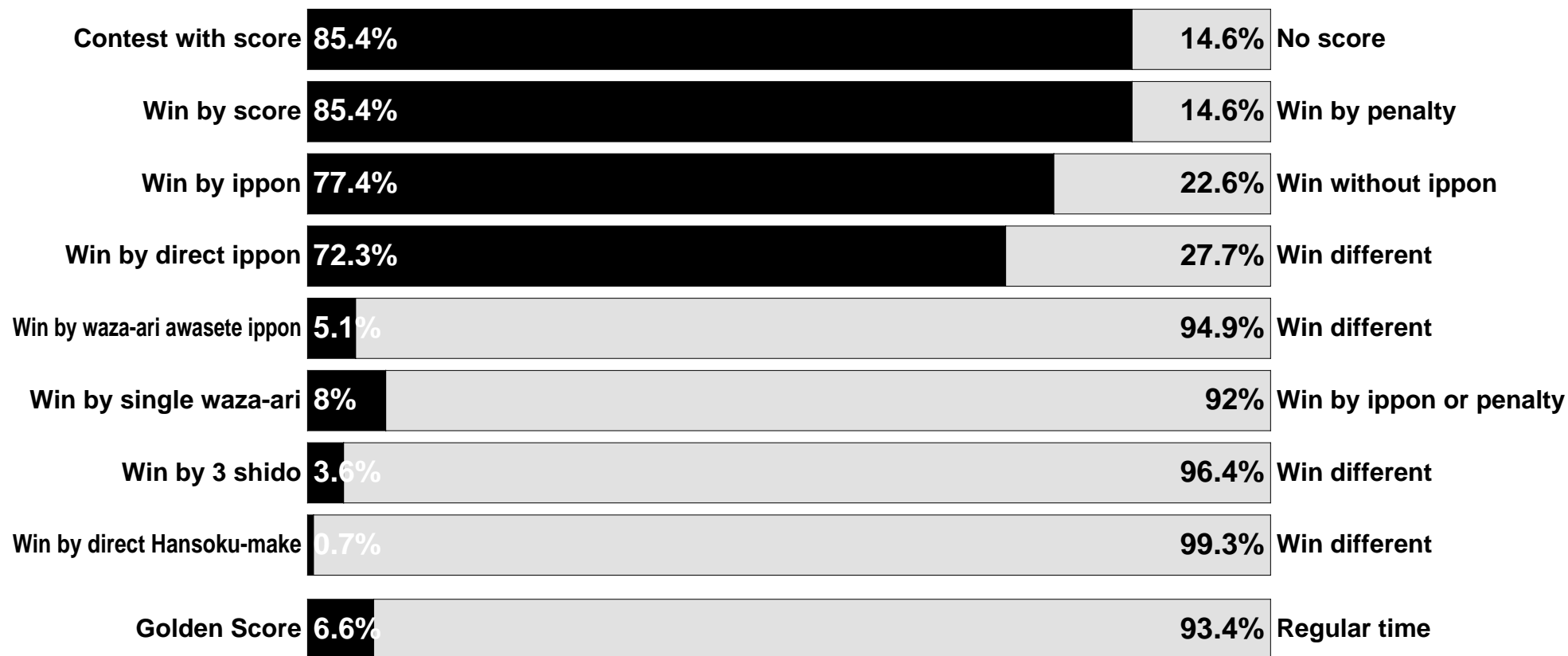
18 nations with places 1st-7th ( = 100% )

14 nations with medals ( = 78% )

# Super Copa de Espana de Judo Isabel Fernandez - Infantil 2025

Alicante (VAL), 09 Mar 2025

## Statistics



# Super Copa de Espana de Judo Isabel Fernandez - Infantil 2025

Alicante (VAL), 09 Mar 2025

## Statistics

|   | -38 F Eli kg | -42 F Eli kg | -46 F Eli kg | -50 F Eli kg | -55 F Eli kg | -60 F Eli kg | -66 F Eli kg | +66 F Eli kg | -36 F Eli kg | -40 F Eli kg | -44 F Eli kg | -48 F Eli kg | -52 F Eli kg | -57 F Eli kg | -63 F Eli kg | +63 F Eli kg | Men   | Women | Total |
|---|--------------|--------------|--------------|--------------|--------------|--------------|--------------|--------------|--------------|--------------|--------------|--------------|--------------|--------------|--------------|--------------|-------|-------|-------|
| <b>Competitors</b>                      | 33           | 36           | 14           | 14           | 34           | 14           | 12           | 10           | 4            | 8            | 16           | 14           | 14           | 13           | 10           | 6            | 167   | 85    | 252   |
| <b>Contests</b>                         |              |              | 13           | 13           |              | 13           | 11           | 9            | 4            | 7            | 15           | 13           | 13           | 12           | 9            | 5            | 59    | 78    | 137   |
| <b>Contests with positive score</b>     |              |              | 12           | 12           |              | 10           | 11           | 8            | 4            | 5            | 13           | 8            | 11           | 10           | 9            | 4            | 53    | 64    | 117   |
| <b>Contests with positive score %</b>   |              |              | 92.3%        | 92.3%        |              | 76.9%        | 100%         | 88.9%        | 100%         | 71.4%        | 86.7%        | 61.5%        | 84.6%        | 83.3%        | 100%         | 80%          | 89.8% | 82.1% | 85.4% |
| <b>Wins by positive score</b>           |              |              | 12           | 12           |              | 10           | 11           | 8            | 4            | 5            | 13           | 8            | 11           | 10           | 9            | 4            | 53    | 64    | 117   |
| <b>Wins by positive score %</b>         |              |              | 92.3%        | 92.3%        |              | 76.9%        | 100%         | 88.9%        | 100%         | 71.4%        | 86.7%        | 61.5%        | 84.6%        | 83.3%        | 100%         | 80%          | 89.8% | 82.1% | 85.4% |
| <b>Wins by Ippon</b>                    |              |              | 12           | 9            |              | 9            | 11           | 7            | 4            | 5            | 11           | 8            | 10           | 9            | 8            | 3            | 48    | 58    | 106   |
| <b>Wins by Ippon %</b>                  |              |              | 92.3%        | 69.2%        |              | 69.2%        | 100%         | 77.8%        | 100%         | 71.4%        | 73.3%        | 61.5%        | 76.9%        | 75%          | 88.9%        | 60%          | 81.4% | 74.4% | 77.4% |
| <b>Wins by Waza-ari awasete Ippon</b>   |              |              | 2            |              |              | 1            | 1            |              | 1            |              |              | 2            |              |              |              |              | 4     | 3     | 7     |
| <b>Wins by Waza-ari awasete Ippon %</b> |              |              | 15.4%        | 0%           |              | 7.7%         | 9.1%         | 0%           | 25%          | 0%           | 0%           | 15.4%        | 0%           | 0%           | 0%           | 0%           | 6.8%  | 3.8%  | 5.1%  |
| <b>Wins by waza-ari</b>                 |              |              |              | 3            |              | 1            |              | 1            |              |              | 2            |              | 1            | 1            | 1            | 1            | 5     | 6     | 11    |
| <b>Wins by waza-ari %</b>               |              |              | 0%           | 23.1%        |              | 7.7%         | 0%           | 11.1%        | 0%           | 0%           | 13.3%        | 0%           | 7.7%         | 8.3%         | 11.1%        | 20%          | 8.5%  | 7.7%  | 8%    |
| <b>Waza-ari</b>                         |              |              | 2            | 7            |              | 3            | 1            | 2            | 1            |              | 3            | 1            | 4            | 2            | 3            | 1            | 15    | 15    | 30    |
| <b>Positive Scores</b>                  |              |              | 16           | 16           |              | 13           | 13           | 9            | 6            | 5            | 14           | 11           | 14           | 11           | 11           | 4            | 67    | 76    | 143   |
| <b>Average positive Scores</b>          |              |              | 1.2          | 1.2          |              | 1            | 1.2          | 1            | 1.5          | 0.7          | 0.9          | 0.8          | 1.1          | 0.9          | 1.2          | 0.8          | 1.1   | 1     | 1     |
| <b>Shido</b>                            |              |              | 6            | 12           |              | 9            | 8            | 6            | 1            | 8            | 13           | 16           | 13           | 16           | 2            | 6            | 41    | 75    | 116   |
| <b>Average shido per contest</b>        |              |              | 0.5          | 0.9          |              | 0.7          | 0.7          | 0.7          | 0.3          | 1.1          | 0.9          | 1.2          | 1            | 1.3          | 0.2          | 1.2          | 0.7   | 1     | 0.8   |
| <b>Wins by 3 shido for opponent</b>     |              |              |              |              |              |              |              |              |              |              | 1            | 2            | 1            |              |              | 1            |       | 5     | 5     |
| <b>Wins by 3 shido for opponent %</b>   |              |              | 0%           | 0%           |              | 0%           | 0%           | 0%           | 0%           | 0%           | 6.7%         | 15.4%        | 7.7%         | 0%           | 0%           | 20%          | 0%    | 6.4%  | 3.6%  |
| <b>Direct Hansoku-make</b>              |              |              | 1            |              |              |              |              |              |              |              |              |              |              |              |              |              | 1     |       | 1     |
| <b>Direct HSKM (Out of tournament)</b>  |              |              |              |              |              |              |              |              |              |              |              |              |              |              |              |              |       |       |       |
| <b>Golden Score</b>                     |              |              |              | 1            |              | 1            |              | 1            |              | 2            |              | 1            |              |              | 3            |              | 3     | 6     | 9     |
| <b>Golden Score %</b>                   |              |              | 0%           | 7.7%         |              | 7.7%         | 0%           | 11.1%        | 0%           | 28.6%        | 0%           | 7.7%         | 0%           | 0%           | 33.3%        | 0%           | 5.1%  | 7.7%  | 6.6%  |
| <b>Osae-komi</b>                        |              |              | 8            | 2            |              | 13           | 7            | 9            | 3            | 4            | 14           | 7            | 11           | 7            | 6            | 0            | 39    | 52    | 91    |
| <b>Fusen-gachi</b>                      |              |              |              |              |              |              | 1            |              |              |              |              |              |              |              |              |              | 1     |       | 1     |

Super Copa de Espana de Judo Isabel Fernandez - Infantil 2025  
Alicante (VAL), 09 Mar 2025

Nations  
Overview

|     |  |                        | -38 F Eij | -42 F Eij | -46 F Eij | -50 F Eij | -55 F Eij | -60 F Eij | -66 F Eij | -66 F Eij | m   | -38 F Eij | -40 F Eij | -44 F Eij | -48 F Eij | -52 F Eij | -57 F Eij | -63 F Eij | -63 F Eij | w  | total |
|-----|--|------------------------|-----------|-----------|-----------|-----------|-----------|-----------|-----------|-----------|-----|-----------|-----------|-----------|-----------|-----------|-----------|-----------|-----------|----|-------|
| 1.  |  | AND Andalusia          | 6         | 3         | 1         | 1         | 2         |           |           | 3         | 16  |           | 1         |           |           |           | 3         | 1         |           | 5  | 21    |
| 2.  |  | ARA Aragon             | 7         | 4         | 2         | 5         | 3         | 1         |           | 1         | 23  | 1         | 1         | 1         | 2         | 1         | 2         |           | 2         | 10 | 33    |
| 3.  |  | AST Asturias           | 1         | 1         |           |           | 1         | 1         |           |           | 4   |           | 1         | 1         |           | 1         |           |           |           | 4  | 8     |
| 4.  |  | BAL Islas Baleares     | 2         | 1         | 1         |           | 4         | 1         | 2         | 1         | 12  |           |           | 3         |           | 1         |           | 2         |           | 6  | 18    |
| 5.  |  | CAN Canarias           |           | 1         |           | 1         | 3         | 2         | 1         | 1         | 9   |           |           | 1         | 1         | 1         |           |           | 1         | 4  | 13    |
| 6.  |  | CAT Catalunya          | 2         |           |           |           |           | 1         | 2         | 1         | 6   |           |           |           | 1         |           | 1         |           |           | 2  | 8     |
| 7.  |  | CLE Castilla Leon      |           |           |           |           | 1         |           |           |           | 1   |           |           | 2         | 1         |           |           |           |           | 3  | 4     |
| 8.  |  | CLM Castilla La Mancha |           | 1         |           |           |           |           |           |           | 1   |           | 1         | 1         |           |           |           |           |           | 2  | 3     |
| 9.  |  | CTB Cantabria          | 2         |           |           | 2         |           |           |           | 1         | 5   |           |           |           | 1         |           | 1         |           |           | 2  | 7     |
| 10. |  | EXT Extremadura        |           |           |           |           |           |           |           |           | 0   |           |           |           |           |           |           | 1         |           | 1  | 1     |
| 11. |  | GAL Galicia            | 2         | 3         | 1         |           |           | 1         | 1         |           | 8   |           | 2         | 1         | 1         | 1         |           | 1         |           | 6  | 14    |
| 12. |  | MAD Madrid             | 4         | 7         | 5         | 2         | 6         | 1         | 1         |           | 26  | 1         |           | 3         | 2         | 5         | 2         | 3         |           | 16 | 42    |
| 13. |  | MUR Murcia             | 4         | 6         |           | 1         | 5         | 1         |           | 1         | 18  |           |           |           | 1         |           | 1         |           | 1         | 3  | 21    |
| 14. |  | POR Portugal           |           | 1         |           |           | 1         |           |           |           | 2   |           |           |           |           |           |           |           |           | 0  | 2     |
| 15. |  | RIO La Rioja           |           | 1         |           |           |           |           |           |           | 1   |           |           | 1         |           |           |           |           |           | 1  | 2     |
| 16. |  | UKR Ucrania            |           |           |           |           |           |           | 1         |           | 1   |           |           |           |           |           |           |           |           | 0  | 1     |
| 17. |  | VAL Valencia           | 3         | 7         | 4         | 2         | 8         | 5         | 4         | 1         | 34  | 2         | 2         | 2         | 3         | 4         | 2         | 2         | 2         | 19 | 53    |
| 18. |  | VAS Pais Vasco         |           |           |           |           |           |           |           |           | 0   |           |           | 1         |           |           |           |           |           | 1  | 1     |
|     |  |                        | 33        | 36        | 14        | 14        | 34        | 14        | 12        | 10        | 167 | 4         | 8         | 16        | 14        | 14        | 13        | 10        | 6         | 85 | 252   |

# Super Copa de Espana de Judo Isabel Fernandez - Infantil 2025

Alicante (VAL), 09 Mar 2025

**-38 F Eli kg**  
33 Judoka

**Pool A**

|   |                            |     |   |                               |    |
|---|----------------------------|-----|---|-------------------------------|----|
| 1 | MIGUELEZ ARNIELLA, Angel   | AST | 1 | MIGUELEZ ARNIELLA, A. (AST)   | 33 |
| 2 | REY SANCHEZ, Bruno         | GAL | 2 | REY SANCHEZ, B. (GAL)         |    |
| 3 | POLO LAGUNA, Simon         | ARA | 3 | POLO LAGUNA, S. (ARA)         | 49 |
| 4 | ASTAFIEIEV, Daniil         | AND | 4 | ASTAFIEIEV, D. (AND)          | 34 |
| 5 | PARRA PARRA, Jose Maria    | MUR | 5 | PARRA PARRA, J. (MUR)         | 57 |
| 6 | GIRAL SALAMERO, Mateo      | ARA | 6 | GIRAL SALAMERO, M. (ARA)      | 50 |
| 7 | GARCIA-MUNOZ ORTEGA, Geray | CAT | 7 | GARCIA-MUNOZ ORTEGA, G. (CAT) | 35 |
| 8 | KRYZHANOVSKYI, Davyd       | AND | 8 | KRYZHANOVSKYI, D. (AND)       | 36 |

**Pool B**

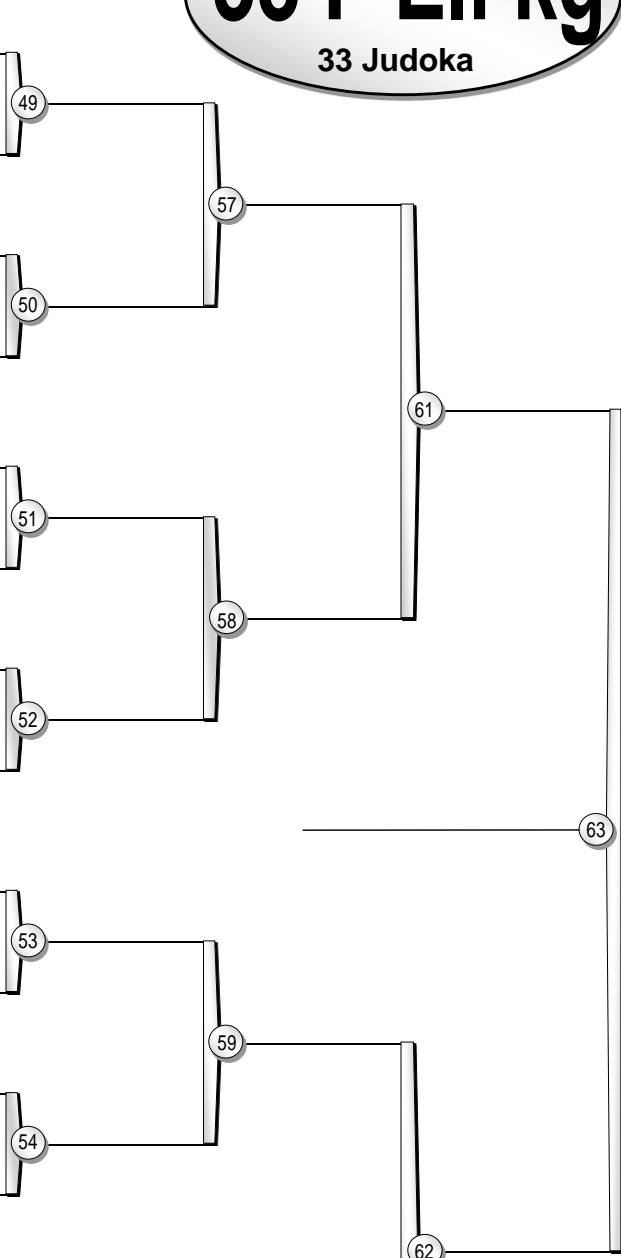
|    |                            |     |    |                               |    |
|----|----------------------------|-----|----|-------------------------------|----|
| 9  | HERRERA PEREZ, Diego       | CTB | 9  | HERRERA PEREZ, D. (CTB)       | 37 |
| 10 | SANCHEZ RUBIO, Juan        | ARA | 10 | SANCHEZ RUBIO, J. (ARA)       | 51 |
| 11 | NESVIETOV, Sviatoslav      | MUR | 11 | NESVIETOV, S. (MUR)           | 38 |
| 12 | CARRION NAVARRO, Miguel    | AND | 12 | CARRION NAVARRO, M. (AND)     | 58 |
| 13 | CASTARNADO GONZALEZ, Adria | BAL | 13 | CASTARNADO GONZALEZ, A. (BAL) | 39 |
| 14 | APARICIO SCHLIERF, Luka    | ARA | 14 | APARICIO SCHLIERF, L. (ARA)   | 52 |
| 15 | ROBLES ROLDAN, Alonso      | MAD | 15 | ROBLES ROLDAN, A. (MAD)       | 40 |
| 16 | PEREZ ORTEGA, Yoel         | VAL | 16 | PEREZ ORTEGA, Y. (VAL)        | 61 |

**Pool C**

|    |                                  |     |    |                              |    |
|----|----------------------------------|-----|----|------------------------------|----|
| 17 | GONZALEZ DOMINGUEZ, Luis Joaquin | MUR | 17 | GONZALEZ DOMINGUEZ, L. (MUR) | 41 |
| 18 | VILLAR SADAGIC, Luka             | VAL | 18 | VILLAR SADAGIC, L. (VAL)     | 53 |
| 19 | RUIZ RAMOS, Nicolas              | ARA | 19 | RUIZ RAMOS, N. (ARA)         | 42 |
| 20 | JIMENEZ PATRON, Diego            | MAD | 20 | JIMENEZ PATRON, D. (MAD)     | 59 |
| 21 | CASTELLS VELLVE, Oriol           | CAT | 21 | CASTELLS VELLVE, O. (CAT)    | 54 |
| 22 | MONTOYA LOPEZ, Hector            | CTB | 22 | MONTOYA LOPEZ, H. (CTB)      | 43 |
| 23 | VASYLCHUK, Makar                 | AND | 23 | VASYLCHUK, M. (AND)          | 56 |
| 24 | OUAJDANE SANCHEZ, Naim           | VAL | 24 | OUAJDANE SANCHEZ, N. (VAL)   | 62 |

**Pool D**

|    |                            |     |    |                               |    |
|----|----------------------------|-----|----|-------------------------------|----|
| 25 | GARCIA DIAZ, Daniel        | MAD | 25 | GARCIA DIAZ, D. (MAD)         | 45 |
| 26 | MAMOLAR MORENO, Leo        | ARA | 26 | MAMOLAR MORENO, L. (ARA)      | 55 |
| 27 | BRISH, Veniamin            | AND | 27 | BRISH, Veniamin (AND)         | 46 |
| 28 | FERNANDEZ SEVILLANO, Lucas | MAD | 28 | FERNANDEZ SEVILLANO, L. (MAD) | 60 |
| 29 | SVYNARCHUK, Denis          | AND | 29 | SVYNARCHUK, D. (AND)          | 47 |
| 30 | GIL PARRA, Daniel          | ARA | 30 | GIL PARRA, D. (ARA)           | 56 |
| 31 | RUBINOS ABELAIRAS, Yago    | GAL | 31 | RUBINOS ABELAIRAS, Y. (GAL)   | 48 |
| 32 | GRYGORIAN, Oleksandr       | MUR | 32 | GRYGORIAN, O. (MUR)           |    |
|    | CASTARNADO GONZALEZ, Marc  | BAL |    | CASTARNADO GONZALEZ, M. (BAL) |    |



## Results

- 1.
- 2.
- 3.
- 3.
- 5.
- 5.
- 5.



# Super Copa de Espana de Judo Isabel Fernandez - Infantil 2025

Alicante (VAL), 09 Mar 2025

**-42 F Eli kg**  
36 Judoka

**Pool A**

|   |                                |    |
|---|--------------------------------|----|
| 1 | SOLER VELASCO, A. (MUR)        | 33 |
| 2 | DE SAMPIO CORDOVA, Ibon (ARA)  | 34 |
| 3 | GONZALEZ FRADE, Hector (CAN)   | 35 |
| 4 | MORALES GALAN, J. (MAD)        | 36 |
| 5 | RICO UGARTE, Pedro (RIO)       | 37 |
| 6 | IMPERIAL MARTINEZ, Pedro (MUR) | 38 |
| 7 | KISILOV, Serhii (AND)          | 39 |
| 8 | POLO DEL PINO, Alonso (MAD)    | 40 |
| 9 | TAICH VIDAL, Martin (VAL)      | 41 |

**Pool B**

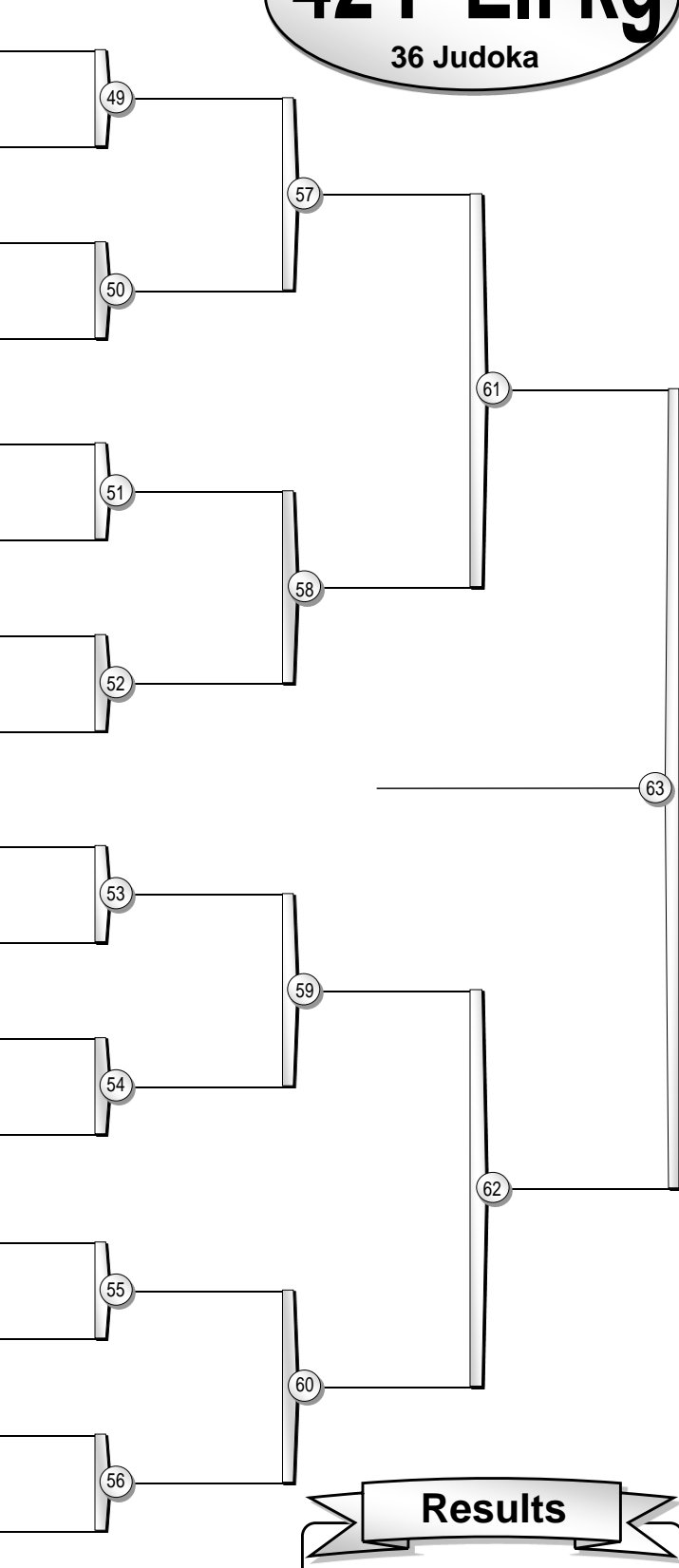
|    |                                  |    |
|----|----------------------------------|----|
| 9  | ALVAREZ VILLEGAS, Izan (VAL)     | 42 |
| 10 | RUIZ GIRON, Rodrigo (MAD)        | 43 |
| 11 | GARCIA BOMFIN, Fernando (MUR)    | 44 |
| 12 | RUBIO BONILLA, Francisco (VAL)   | 45 |
| 13 | RODRIGUEZ ALVAREZ, Alfredo (AND) | 46 |
| 14 | GONZALVEZ CRESPO, Nicolas (GAL)  | 47 |
| 15 | PEREZ ENCISO, Daniel (ARA)       | 48 |
| 16 | CONCEICIO, Martim (POR)          | 49 |
| 17 | ABAD SOTO, Marcos (VAL)          | 50 |

**Pool C**

|    |                                  |    |
|----|----------------------------------|----|
| 17 | MIGUEL GOMEZ, Jorge (CLM)        | 51 |
| 18 | MIGUEL GOMEZ, J. (CLM)           | 52 |
| 19 | RATON ALONSO, M. (GAL)           | 53 |
| 20 | NEDORODA ZINCHENKO, A. (MAD)     | 54 |
| 21 | TAPIA DOMENECH, Hector (VAL)     | 55 |
| 22 | TAPIA DOMENECH, H. (VAL)         | 56 |
| 23 | SICILIA SIN, Mario (ARA)         | 57 |
| 24 | GOMEZ MUNOZ, Jose Luis (MUR)     | 58 |
| 25 | HURTADO MUNOZ, Daniel (MAD)      | 59 |
| 26 | HURTADO MUNOZ, D. (MAD)          | 60 |
| 27 | FERNANDEZ PUERTAS, Nicolas (AST) | 61 |
| 28 | FERNANDEZ PUERTAS, N. (AST)      | 62 |
| 29 | ISASA AYALA, Mario (BAL)         | 63 |
| 30 | ISASA AYALA, M. (BAL)            | 64 |

**Pool D**

|    |                                   |    |
|----|-----------------------------------|----|
| 25 | CARPIO FERNANDEZ, Alejandro (MAD) | 65 |
| 26 | CARPIO FERNANDEZ, A. (MAD)        | 66 |
| 27 | GOMEZ MUNOZ, Manuel (MUR)         | 67 |
| 28 | GOMEZ MUNOZ, M. (MUR)             | 68 |
| 29 | CAMPOY SANTOLARIA, Fabian (ARA)   | 69 |
| 30 | CAMPOY SANTOLARIA, F. (ARA)       | 70 |
| 31 | FALAGUERA BERNABEU, Diego (VAL)   | 71 |
| 32 | FALAGUERA BERNABEU, D. (VAL)      | 72 |
| 33 | RODRIGUEZ MUNOZ, Hugo (MUR)       | 73 |
| 34 | RODRIGUEZ MUNOZ, H. (MUR)         | 74 |
| 35 | RAMOS MALDONADO, Aaron (AND)      | 75 |
| 36 | RAMOS MALDONADO, A. (AND)         | 76 |
| 37 | MAYOR VIDAL, Olmo (VAL)           | 77 |
| 38 | MAYOR VIDAL, O. (VAL)             | 78 |
| 39 | RUIZ PEREZ DEL CANO, Javier (MAD) | 79 |
| 40 | RUIZ PEREZ DEL CANO, J. (MAD)     | 80 |
| 41 | VILA FERREIRO, Alfredo (GAL)      | 81 |
| 42 | VILA FERREIRO, A. (GAL)           | 82 |



**Results**

- 1.
- 2.
- 3.
- 3.
- 5.
- 5.
- 5.

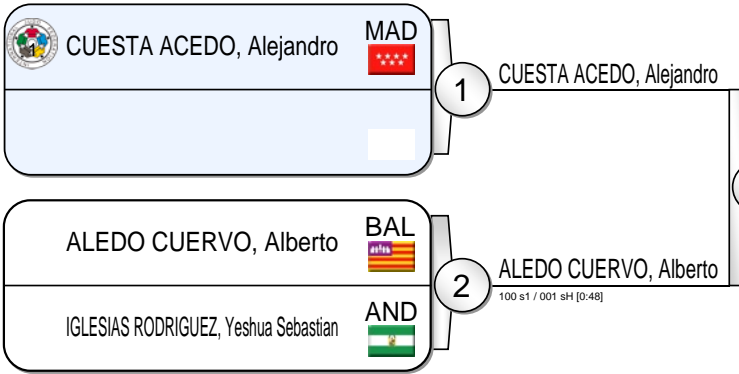
# Super Copa de Espana de Judo Isabel Fernandez - Infantil 2025

Alicante (VAL), 09 Mar 2025

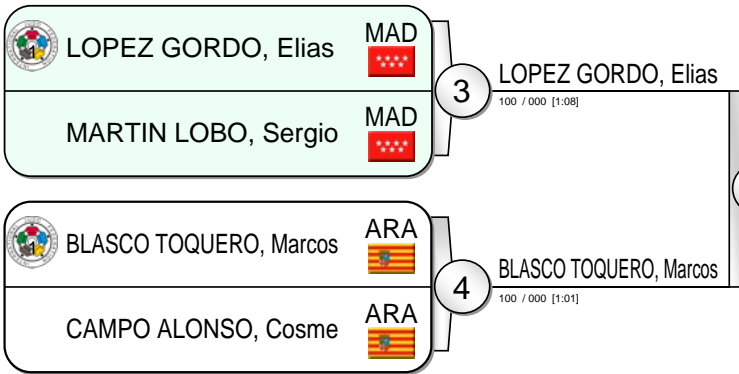
## -46 F Eli kg

14 Judoka

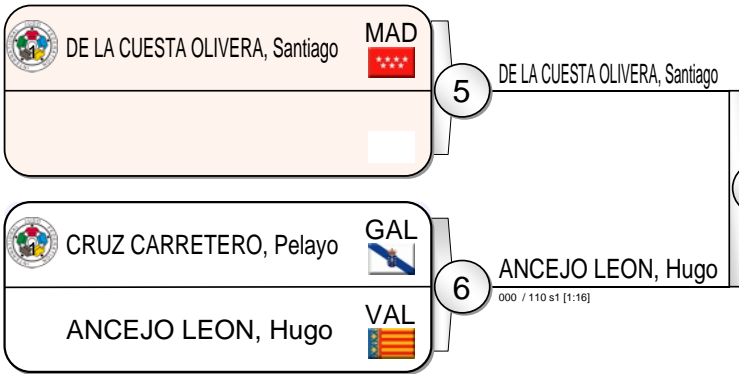
Pool A



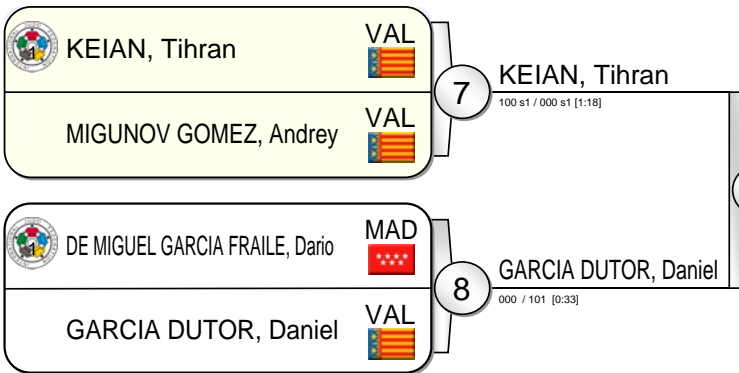
Pool B



Pool C



Pool D



ANCEJO LEON, Hugo

000 / 100 [1:54]

LOPEZ GORDO, Elias

000 s2 / 100 [0:55]

## Results

1. ANCEJO LEON, Hugo VAL
2. LOPEZ GORDO, Elias MAD
3. ALEDO CUERVO, Alberto BAL
3. GARCIA DUTOR, Daniel VAL
5. CUESTA ACEDO, Alejandro MAD
5. BLASCO TOQUERO, Marcos ARA
5. DE LA CUESTA OLIVERA, Santiago MAD
5. KEIAN, Tihran VAL

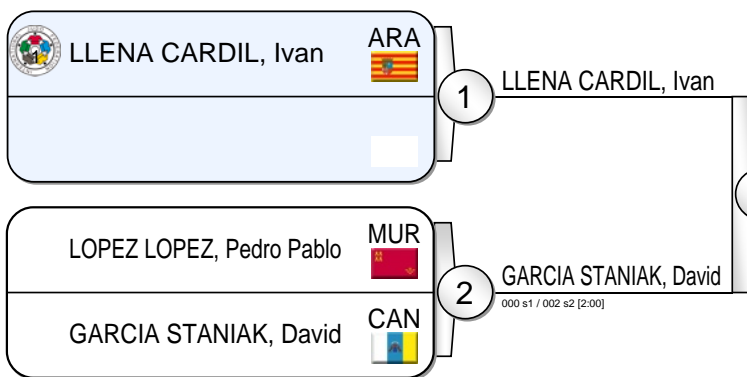
# Super Copa de Espana de Judo Isabel Fernandez - Infantil 2025

Alicante (VAL), 09 Mar 2025

## -50 F Eli kg

14 Judoka

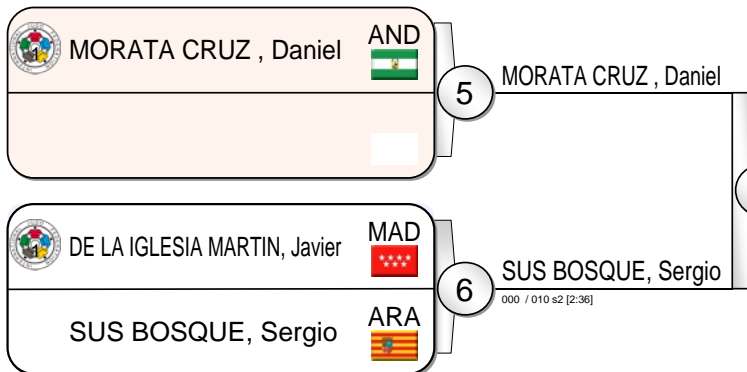
Pool A



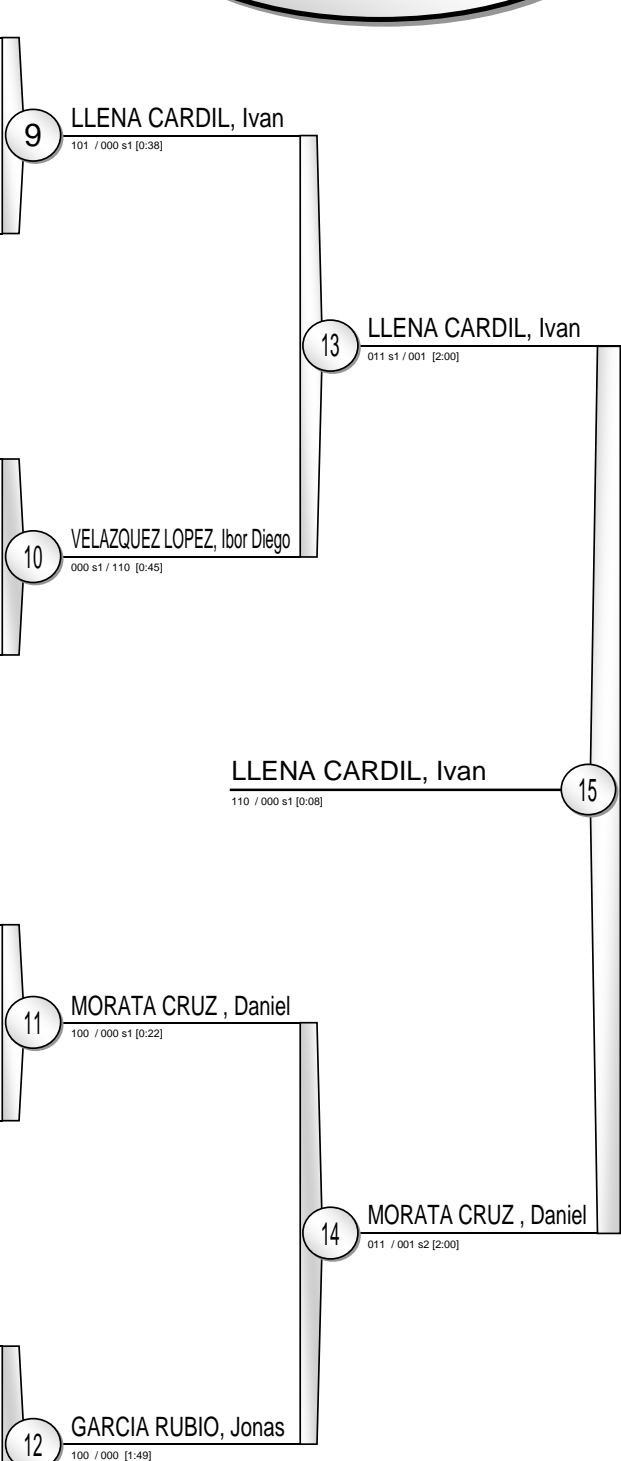
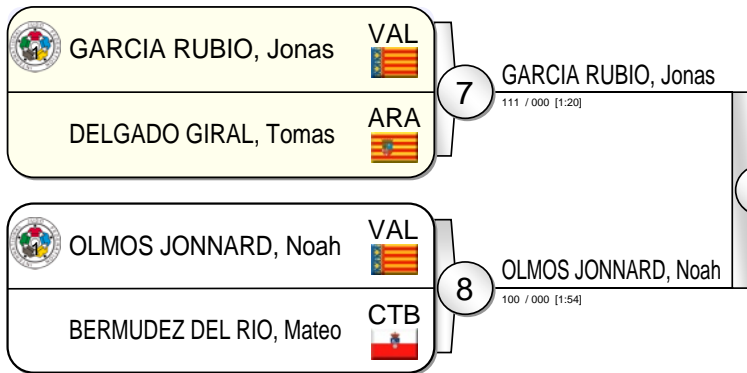
Pool B



Pool C



Pool D



### Results

1. LLENA CARDIL, Ivan ARA
2. MORATA CRUZ, Daniel AND
3. VELAZQUEZ LOPEZ, Ibor Diego MAD
3. GARCIA RUBIO, Jonas VAL
5. GARCIA STANIAK, David CAN
5. ARBIOL SOLA, Javier ARA
5. SUS BOSQUE, Sergio ARA
5. OLMOS JONNARD, Noah VAL



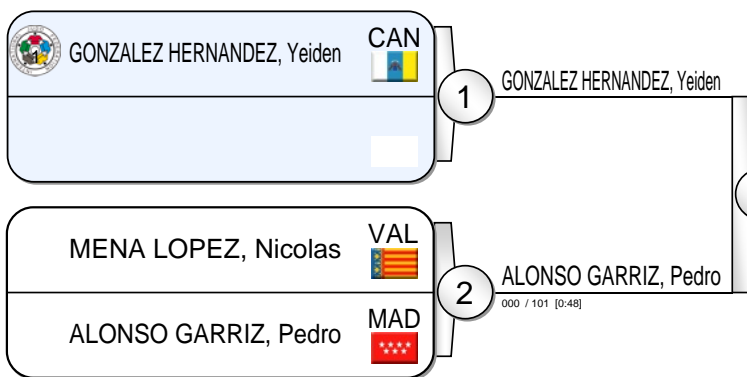
# Super Copa de Espana de Judo Isabel Fernandez - Infantil 2025

Alicante (VAL), 09 Mar 2025

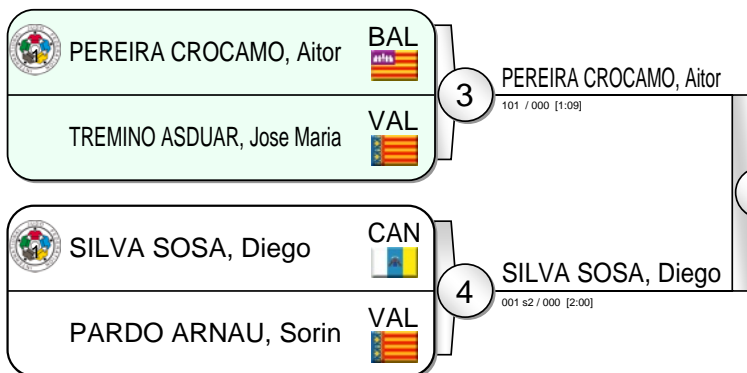
## -60 F Eli kg

14 Judoka

Pool A



Pool B

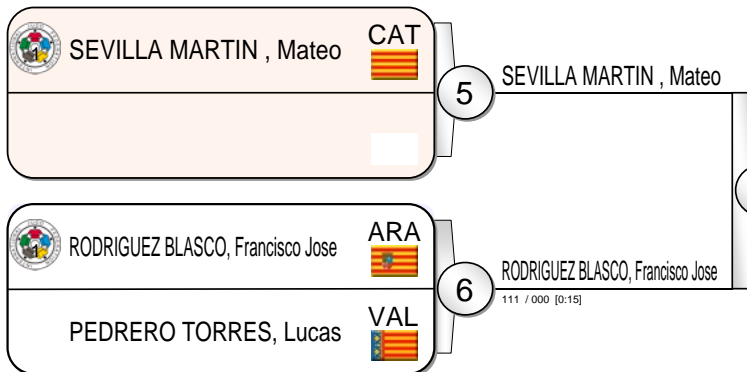


ALONSO GARRIZ, Pedro

101 s1 / 000 [1:03]

15

Pool C

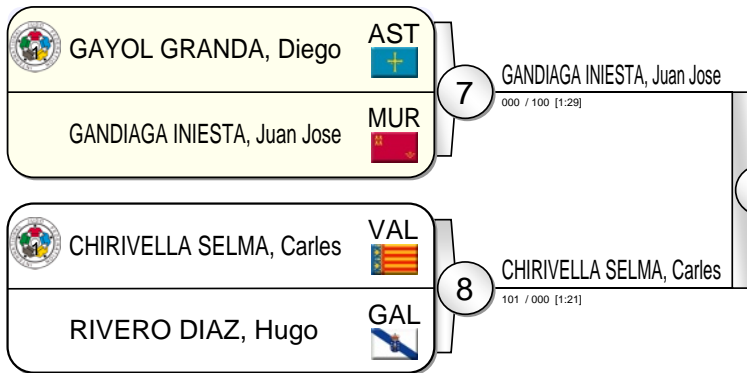


RODRIGUEZ BLASCO, Francisco Jose

010 s1 / 000 s1 [4:12]

14

Pool D



## Results

1. ALONSO GARRIZ, Pedro MAD
2. RODRIGUEZ BLASCO, Francisco Jose ARA
3. PEREIRA CROCAMO, Aitor BAL
3. GANDIAGA INIESTA, Juan Jose MUR
5. GONZALEZ HERNANDEZ, Yeiden CAN
5. SILVA SOSA, Diego CAN
5. SEVILLA MARTIN, Mateo CAT
5. CHIRIVELLA SELMA, Carles VAL

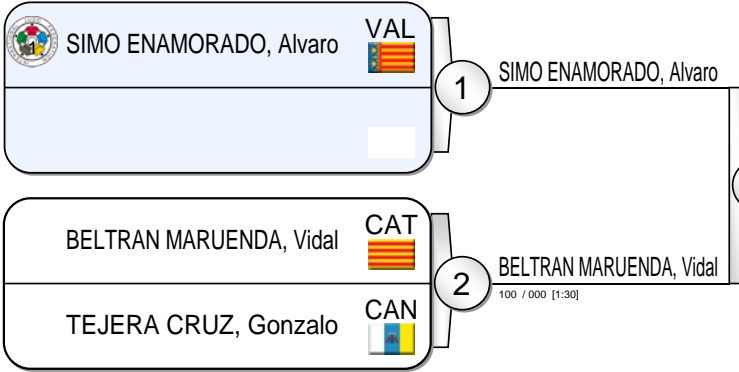
# Super Copa de Espana de Judo Isabel Fernandez - Infantil 2025

Alicante (VAL), 09 Mar 2025

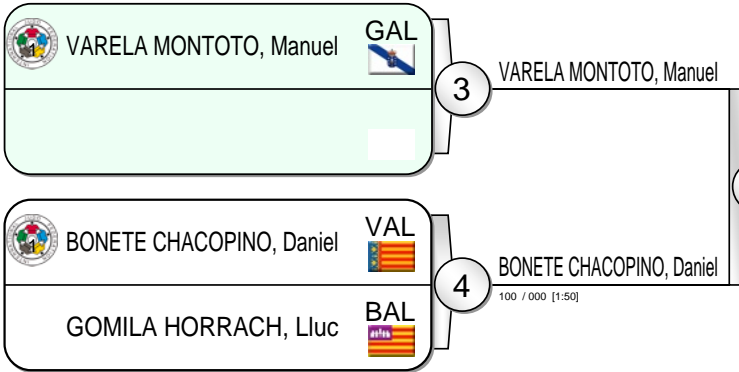
## -66 F Eli kg

12 Judoka

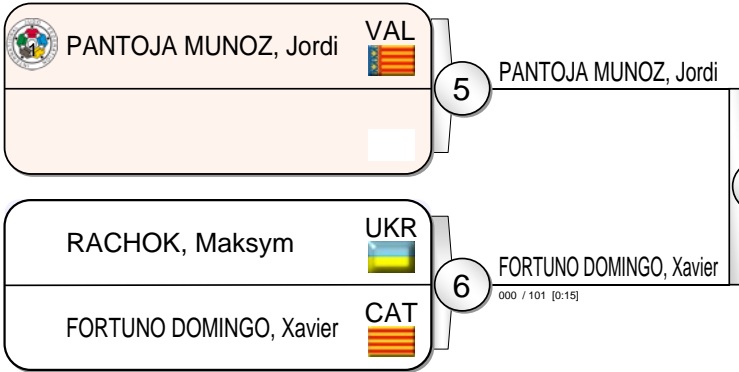
Pool A



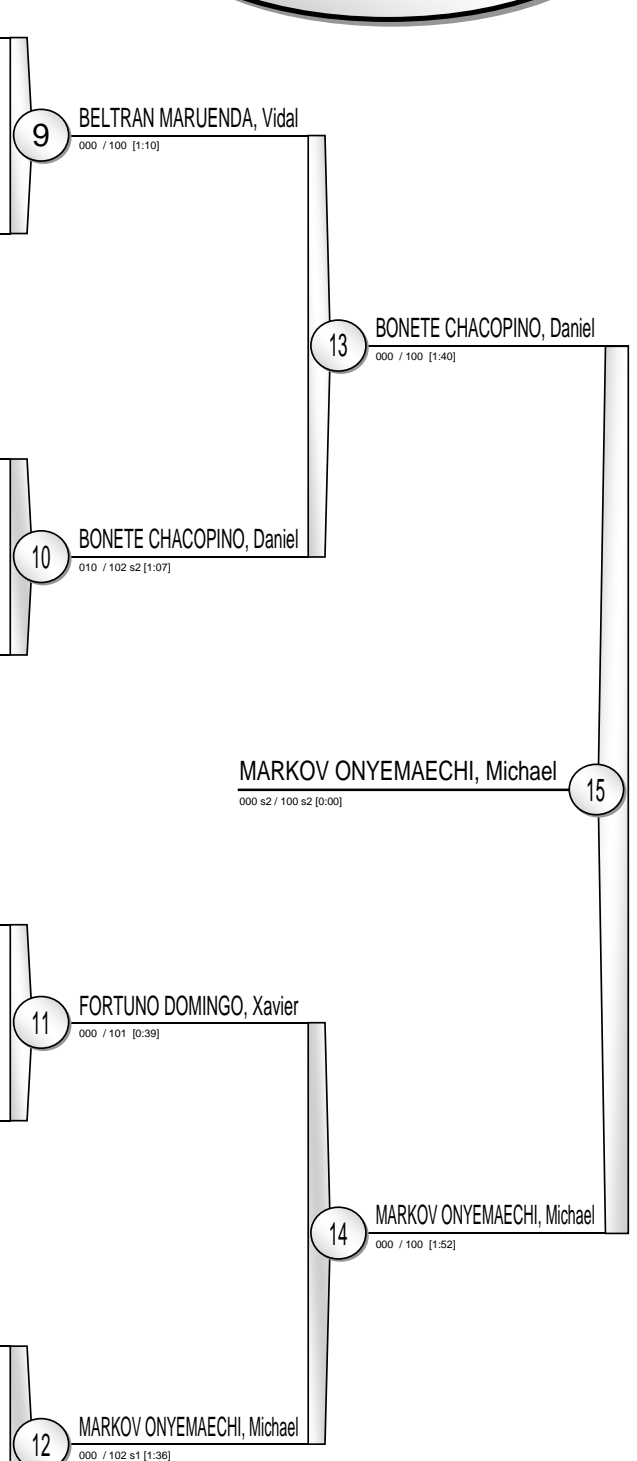
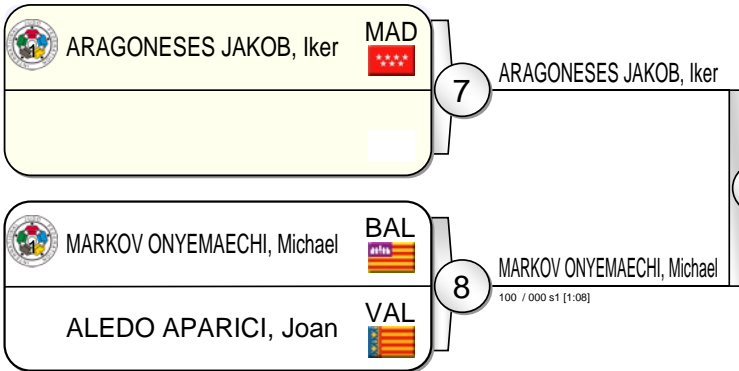
Pool B



Pool C



Pool D



### Results

|    |                            |     |  |
|----|----------------------------|-----|--|
| 1. | MARKOV ONYEMAECHI, Michael | BAL |  |
| 2. | BONETE CHACOPINO, Daniel   | VAL |  |
| 3. | BELTRAN MARUENDA, Vidal    | CAT |  |
| 3. | FORTUNO DOMINGO, Xavier    | CAT |  |
| 5. | SIMO ENAMORADO, Alvaro     | VAL |  |
| 5. | VARELA MONTOTO, Manuel     | GAL |  |
| 5. | PANTOJA MUNOZ, Jordi       | VAL |  |
| 5. | ARAGONESES JAKOB, Iker     | MAD |  |

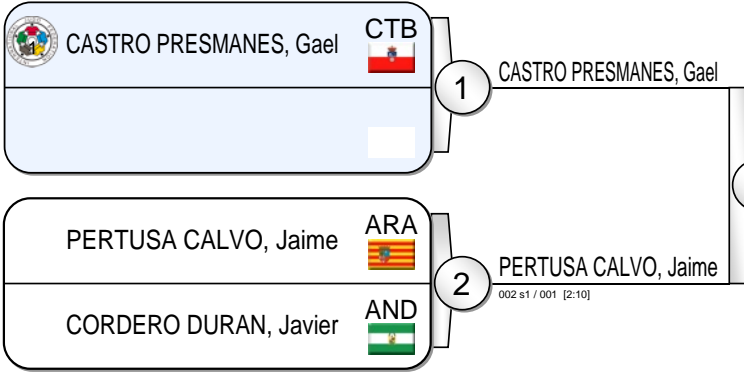
# Super Copa de Espana de Judo Isabel Fernandez - Infantil 2025

Alicante (VAL), 09 Mar 2025

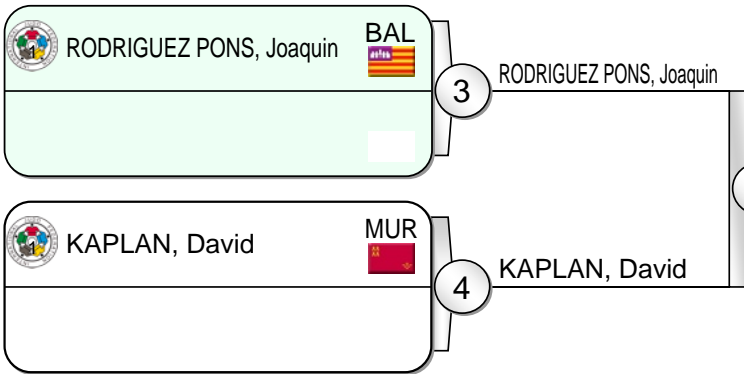
## +66 F Eli kg

10 Judoka

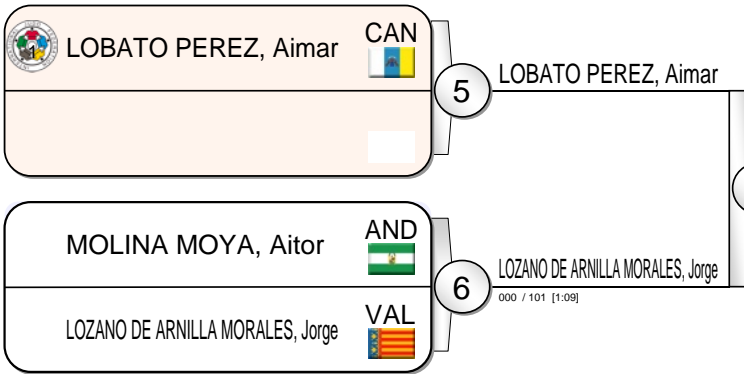
Pool A



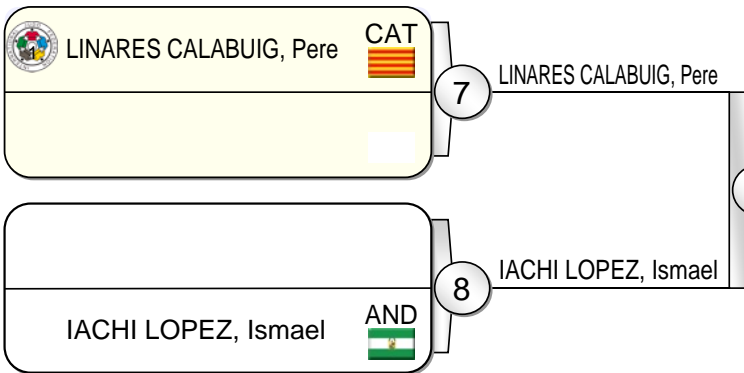
Pool B



Pool C



Pool D



CASTRO PRESMANES, Gael  
100 s1 / 000 s1 [1:43]

LINARES CALABUIG, Pere  
010 / 100 [1:36]

## Results

1. CASTRO PRESMANES, Gael CTB
2. LINARES CALABUIG, Pere CAT
3. RODRIGUEZ PONS, Joaquin BAL
3. LOBATO PEREZ, Aimar CAN
5. PERTUSA CALVO, Jaime ARA
5. KAPLAN, David MUR
5. LOZANO DE ARNILLA MORALES, Jorge VAL
5. IACHI LOPEZ, Ismael AND

# Super Copa de Espana de Judo Isabel Fernandez - Infantil 2025

Alicante (VAL), 09 Mar 2025

# -36 F Eli kg

4 Judoka

MAZA CAPELLAN , Elena ARA

1 MAZA CAPELLAN , Elena

10 / 00 s1 1:37

CAMBRON LLORENS, Mara VAL

4 MAZA CAPELLAN , Elena

10 / 00 1:05

1.

AGUERO IGLESIAS, Arantxa MAD

2 MONTERDE RODRIGUEZ , Alba

01 / 10 0:12

MONTERDE RODRIGUEZ , Alba VAL

CAMBRON LLORENS, Mara

3 AGUERO IGLESIAS, Arantxa

00 / 10 0:09

AGUERO IGLESIAS, Arantxa MAD

3.

## Final Results

1. MAZA CAPELLAN , Elena ARA
2. MONTERDE RODRIGUEZ , Alba VAL
3. AGUERO IGLESIAS, Arantxa MAD



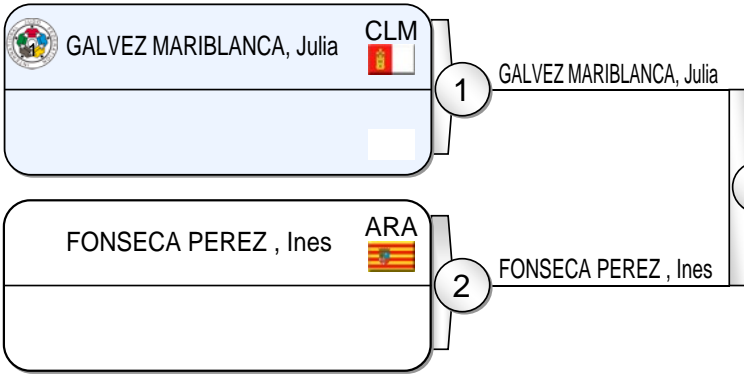
# Super Copa de Espana de Judo Isabel Fernandez - Infantil 2025

Alicante (VAL), 09 Mar 2025

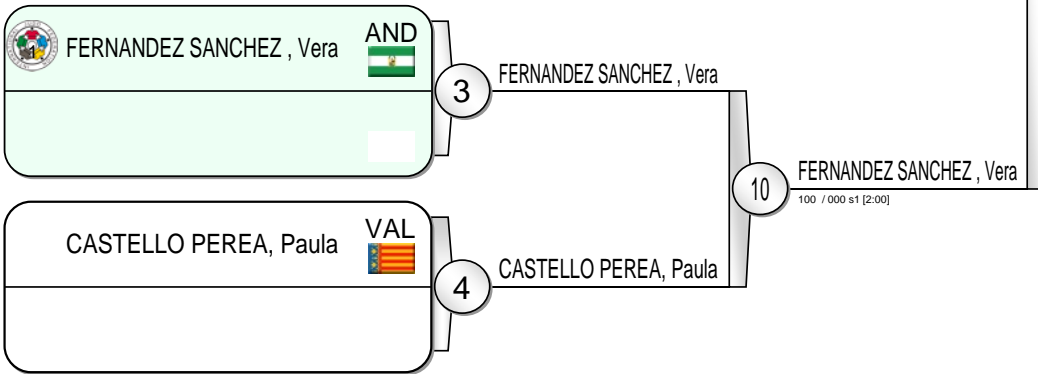
## -40 F Eli kg

8 Judoka

Pool A



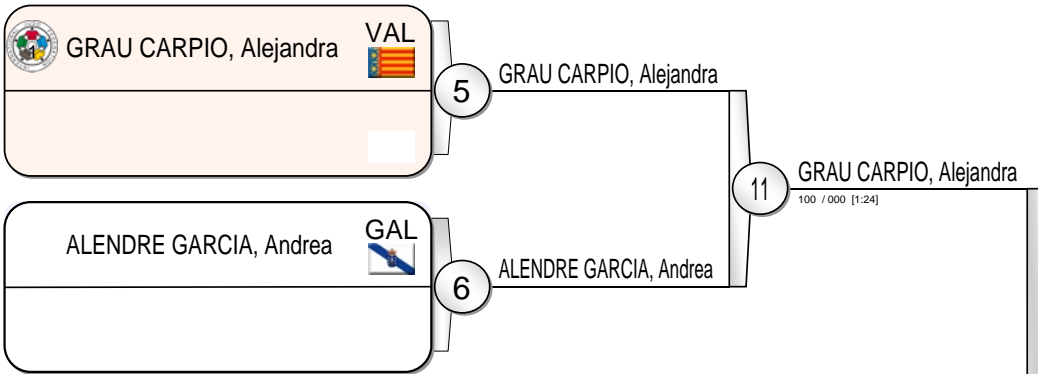
Pool B



GRAU CARPIO, Alejandra

000 s1 / 101 s2 [1:04]

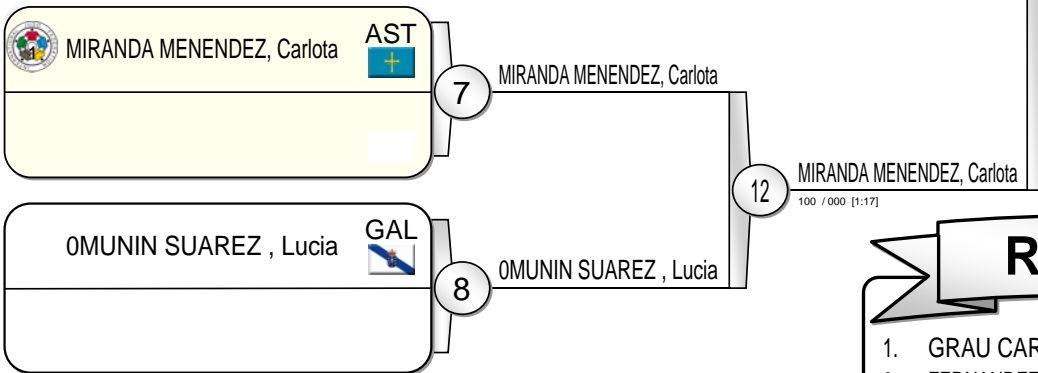
Pool C



GRAU CARPIO, Alejandra

001 / 000 s1 [2:36]

Pool D



## Results

1. GRAU CARPIO, Alejandra VAL
2. FERNANDEZ SANCHEZ, Vera AND
3. FONSECA PEREZ, Ines ARA
3. MIRANDA MENENDEZ, Carlota AST
5. GALVEZ MARIBLANCA, Julia CLM
5. CASTELLO PEREA, Paula VAL
5. ALENDRE GARCIA, Andrea GAL
5. OMUNIN SUAREZ, Lucia GAL

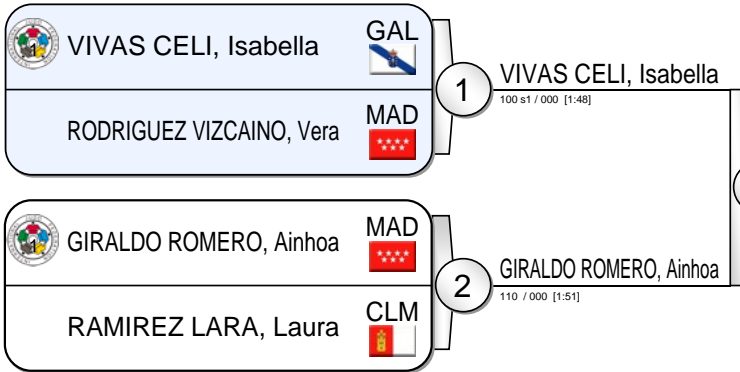
# Super Copa de Espana de Judo Isabel Fernandez - Infantil 2025

Alicante (VAL), 09 Mar 2025

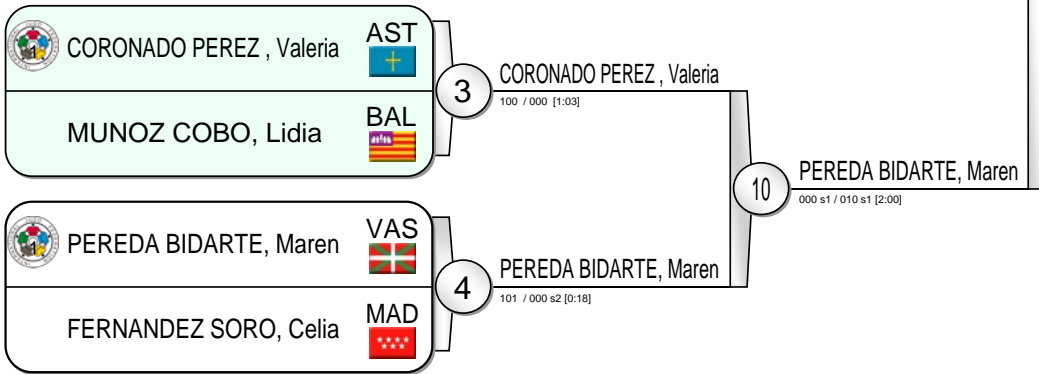
## -44 F Eli kg

16 Judoka

Pool A



Pool B

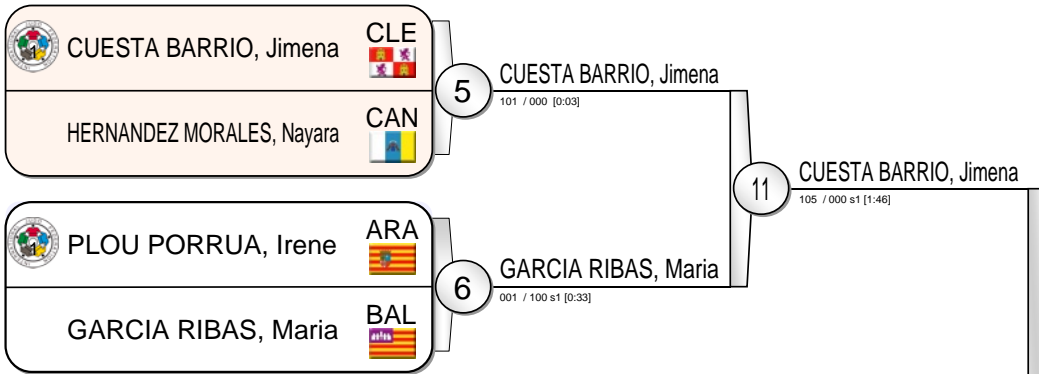


PEREDA BIDARTE, Maren

100 / 000 s3 [1:14]

15

Pool C

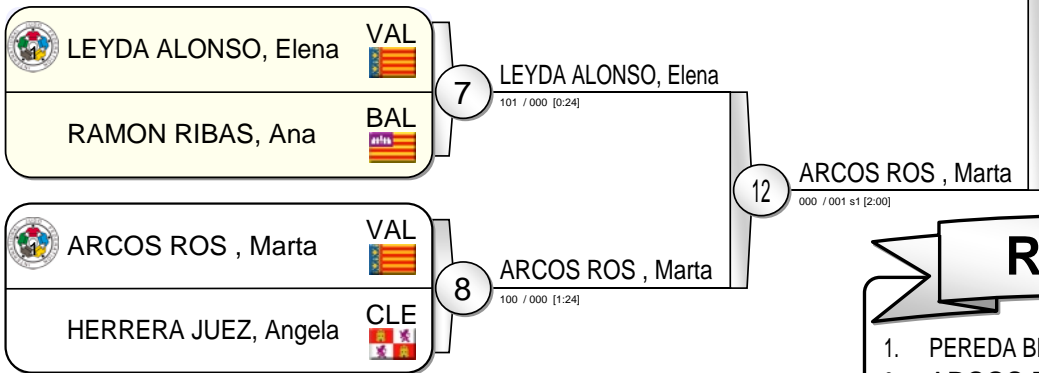


ARCOS ROS, Marta

000 / 100 [1:20]

14

Pool D



## Results

1. PEREDA BIDARTE, Maren VAS
2. ARCOS ROS, Marta VAL
3. GIRALDO ROMERO, Ainhoa MAD
3. CUESTA BARRIO, Jimena CLE
5. VIVAS CELI, Isabella GAL
5. CORONADO PEREZ, Valeria AST
5. GARCIA RIBAS, Maria BAL
5. LEYDA ALONSO, Elena VAL

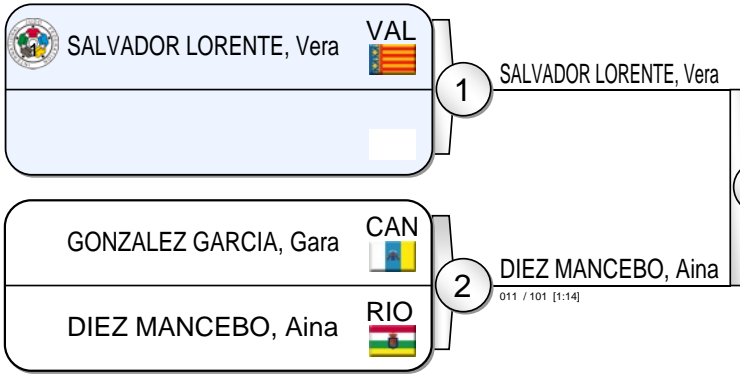
# Super Copa de Espana de Judo Isabel Fernandez - Infantil 2025

Alicante (VAL), 09 Mar 2025

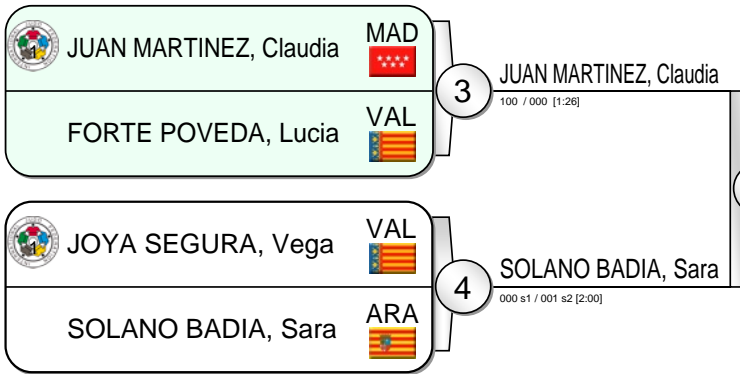
## -48 F Eli kg

14 Judoka

Pool A



Pool B

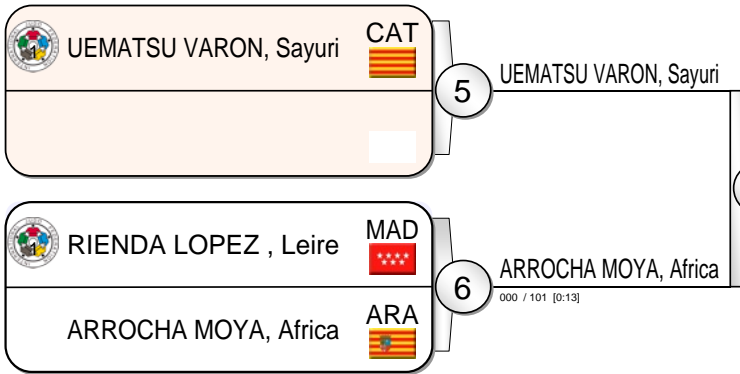


JUAN MARTINEZ, Claudia

100 / 001 s3 [1:33]

15

Pool C

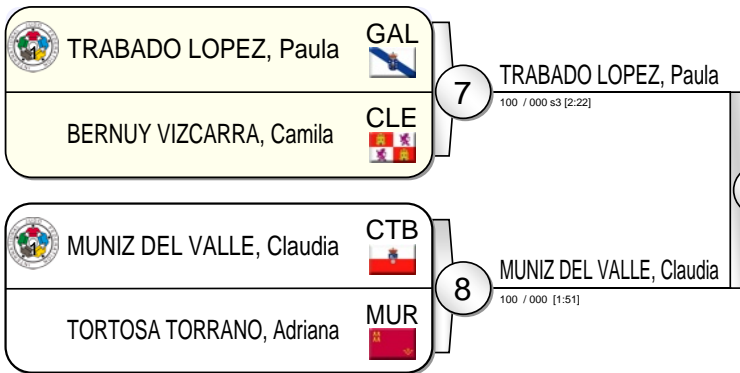


UEMATSU VARON, Sayuri

001 s1 / 000 s2 [2:00]

14

Pool D



## Results

1. JUAN MARTINEZ, Claudia MAD
2. UEMATSU VARON, Sayuri CAT
3. SALVADOR LORENTE, Vera VAL
3. MUNIZ DEL VALLE, Claudia CTB
5. DIEZ MANCEBO, Aina RIO
5. SOLANO BADIA, Sara ARA
5. ARROCHA MOYA, Africa ARA
5. TRABADO LOPEZ, Paula GAL

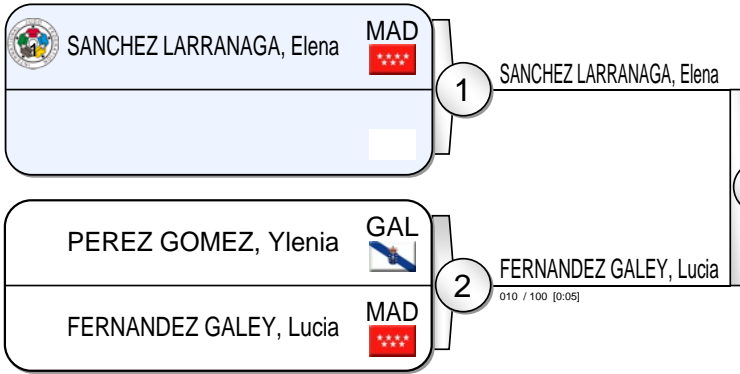
# Super Copa de Espana de Judo Isabel Fernandez - Infantil 2025

Alicante (VAL), 09 Mar 2025

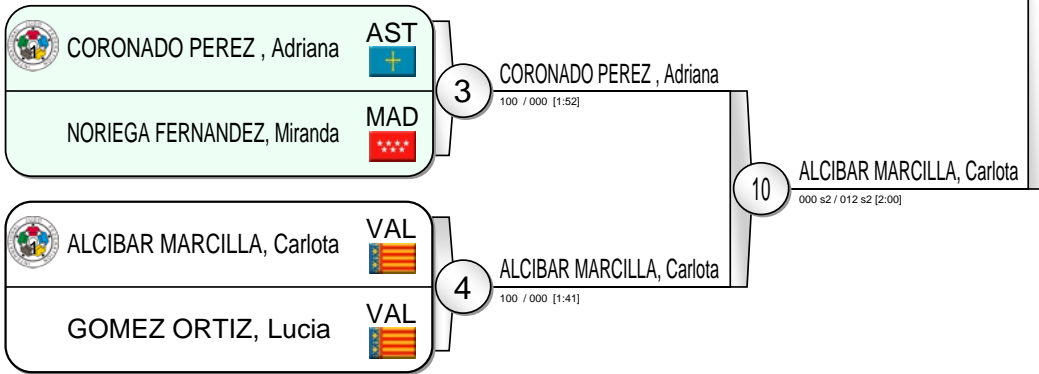
## -52 F Eli kg

14 Judoka

Pool A



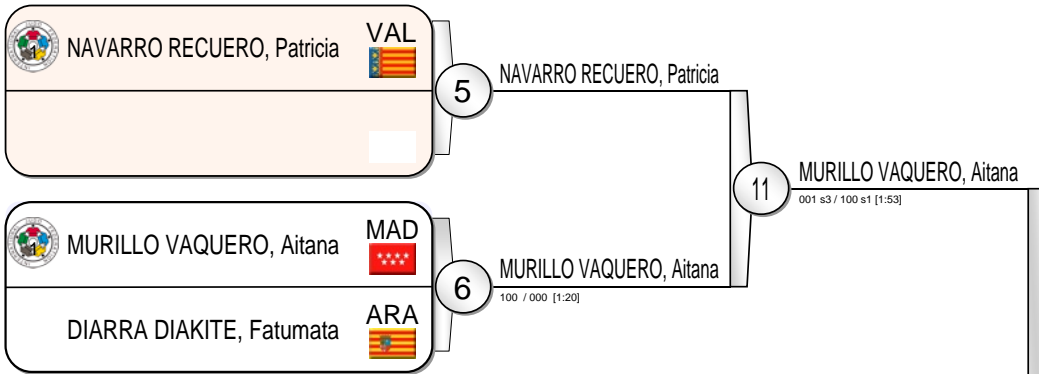
Pool B



SUAREZ GARCIA, Angharad

000 / 100 [1:41]

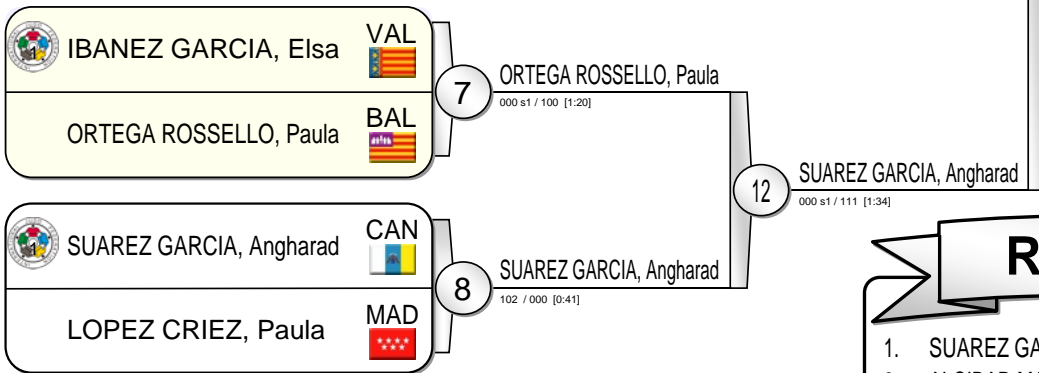
Pool C



SUAREZ GARCIA, Angharad

000 / 111 [0:39]

Pool D



## Results

1. SUAREZ GARCIA, Angharad CAN
2. ALCIBAR MARCILLA, Carlota VAL
3. SANCHEZ LARRANAGA, Elena MAD
3. MURILLO VAQUERO, Aitana MAD
5. FERNANDEZ GALEY, Lucia MAD
5. CORONADO PEREZ, Adriana AST
5. NAVARRO RECUERO, Patricia VAL
5. ORTEGA ROSSELLO, Paula BAL

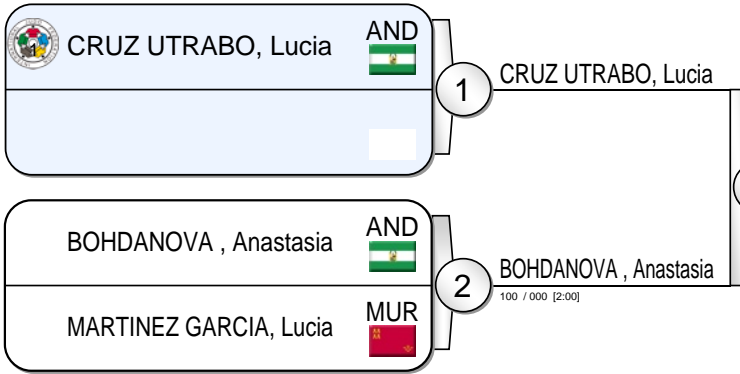
# Super Copa de Espana de Judo Isabel Fernandez - Infantil 2025

Alicante (VAL), 09 Mar 2025

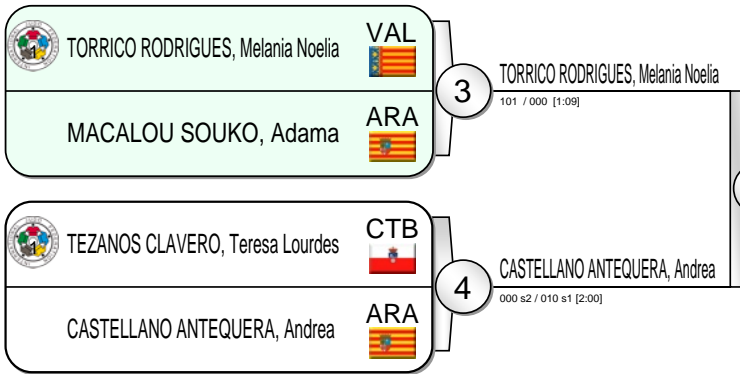
## -57 F Eli kg

13 Judoka

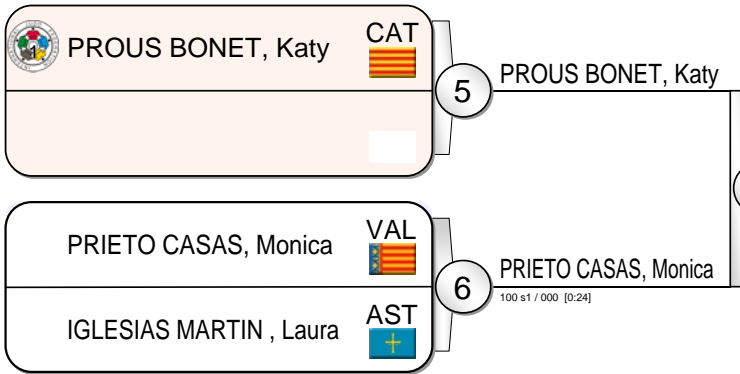
Pool A



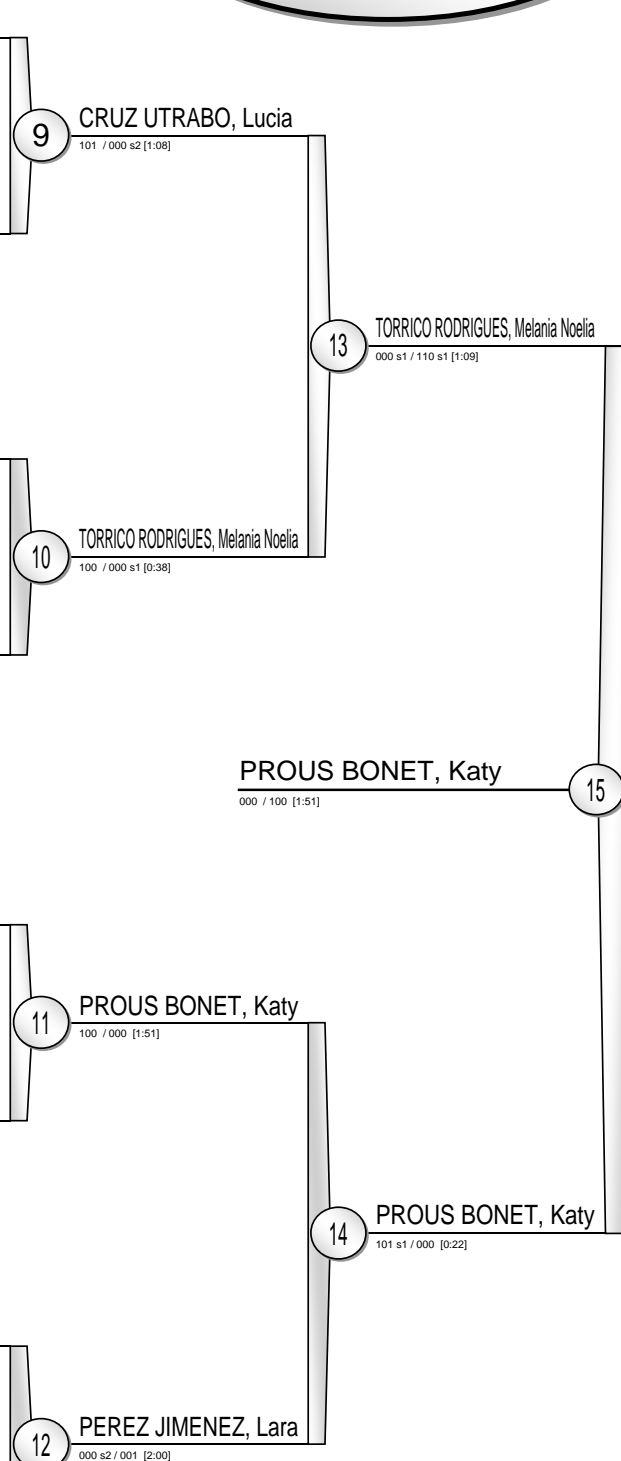
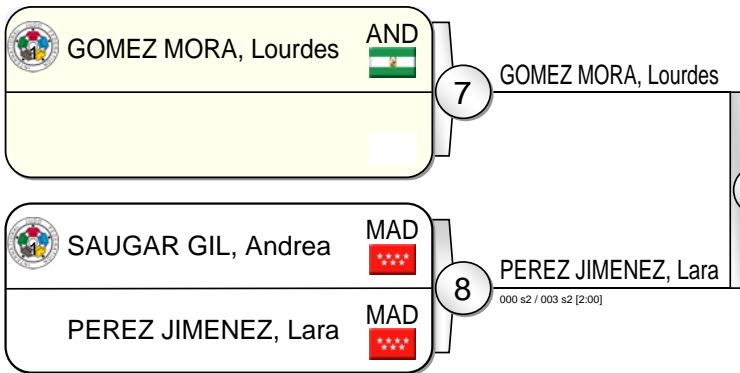
Pool B



Pool C



Pool D



## Results

1. PROUS BONET, Katy CAT
2. TORRICO RODRIGUES, Melania Noelia VAL
3. CRUZ UTRABO, Lucia AND
3. PEREZ JIMENEZ, Lara MAD
5. BOHDANOVA, Anastasia AND
5. CASTELLANO ANTEQUERA, Andrea ARA
5. PRIETO CASAS, Monica VAL
5. GOMEZ MORA, Lourdes AND

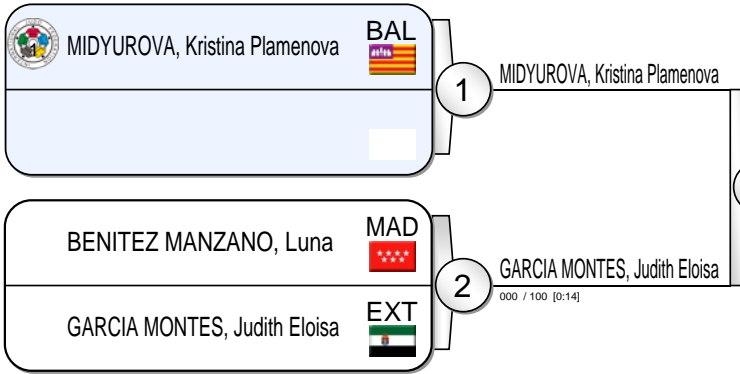
# Super Copa de Espana de Judo Isabel Fernandez - Infantil 2025

Alicante (VAL), 09 Mar 2025

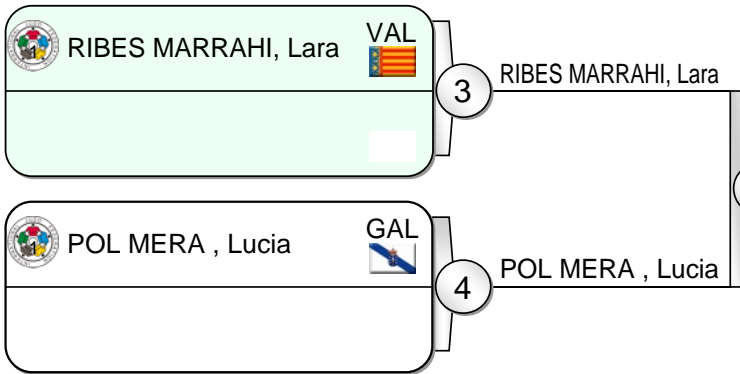
## -63 F Eli kg

10 Judoka

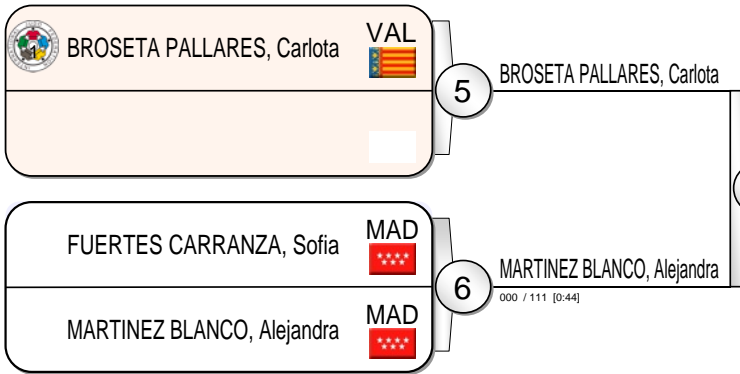
Pool A



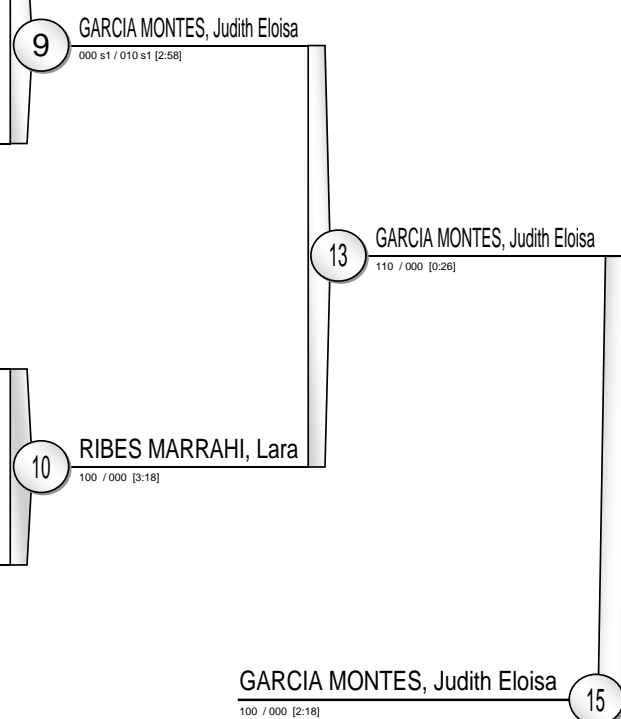
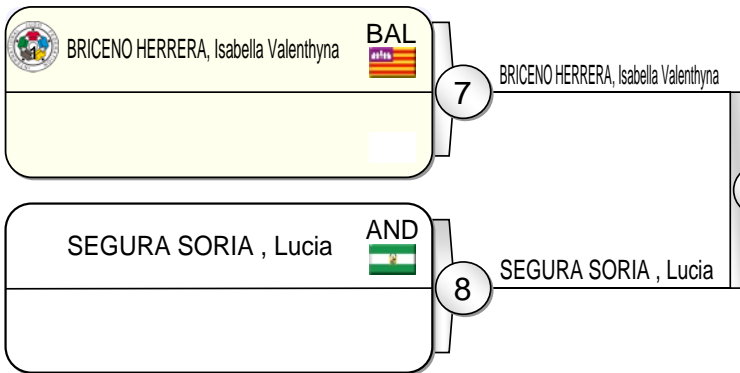
Pool B



Pool C



Pool D



GARCIA MONTES, Judith Eloisa  
100 / 000 [2:18]

### Results

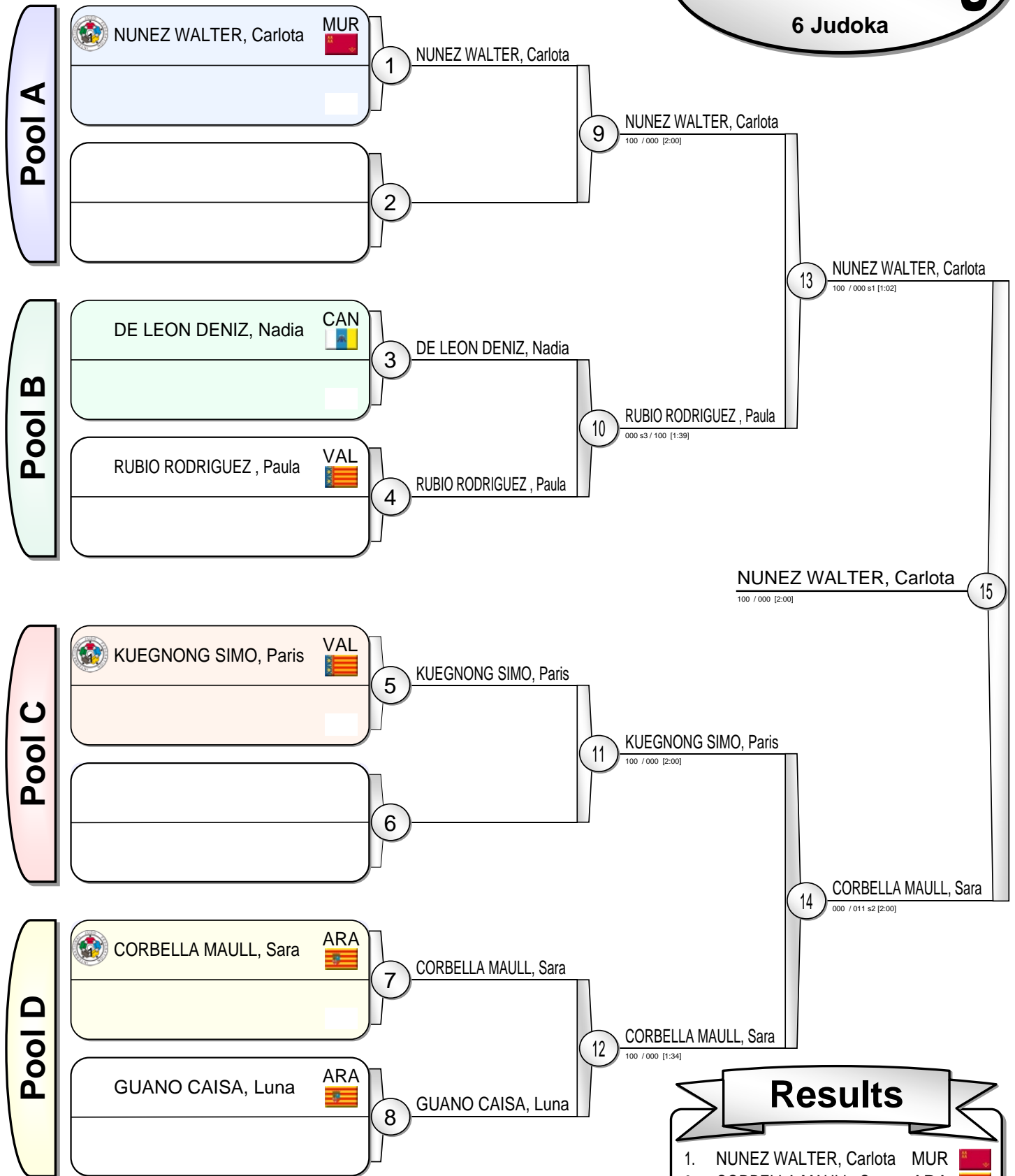
|    |                                     |     |  |
|----|-------------------------------------|-----|--|
| 1. | GARCIA MONTES, Judith Eloisa        | EXT |  |
| 2. | BRICENO HERRERA, Isabella Valentyna | BAL |  |
| 3. | RIBES MARRAHI, Lara                 | VAL |  |
| 3. | BROSETA PALLARES, Carlota           | VAL |  |
| 5. | MIDYUROVA, Kristina Plamenova       | BAL |  |
| 5. | POL MERA, Lucia                     | GAL |  |
| 5. | MARTINEZ BLANCO, Alejandra          | MAD |  |
| 5. | SEGURA SORIA, Lucia                 | AND |  |

# Super Copa de Espana de Judo Isabel Fernandez - Infantil 2025

Alicante (VAL), 09 Mar 2025

## +63 F Eli kg

6 Judoka



## Results

1. NUNEZ WALTER, Carlota MUR
2. CORBELLA MAULL, Sara ARA
3. RUBIO RODRIGUEZ, Paula VAL
3. KUEGNONG SIMO, Paris VAL
- 5.
5. DE LEON DENIZ, Nadia CAN
- 5.
5. GUANO CAISA, Luna ARA